

# Fastir - Omrører

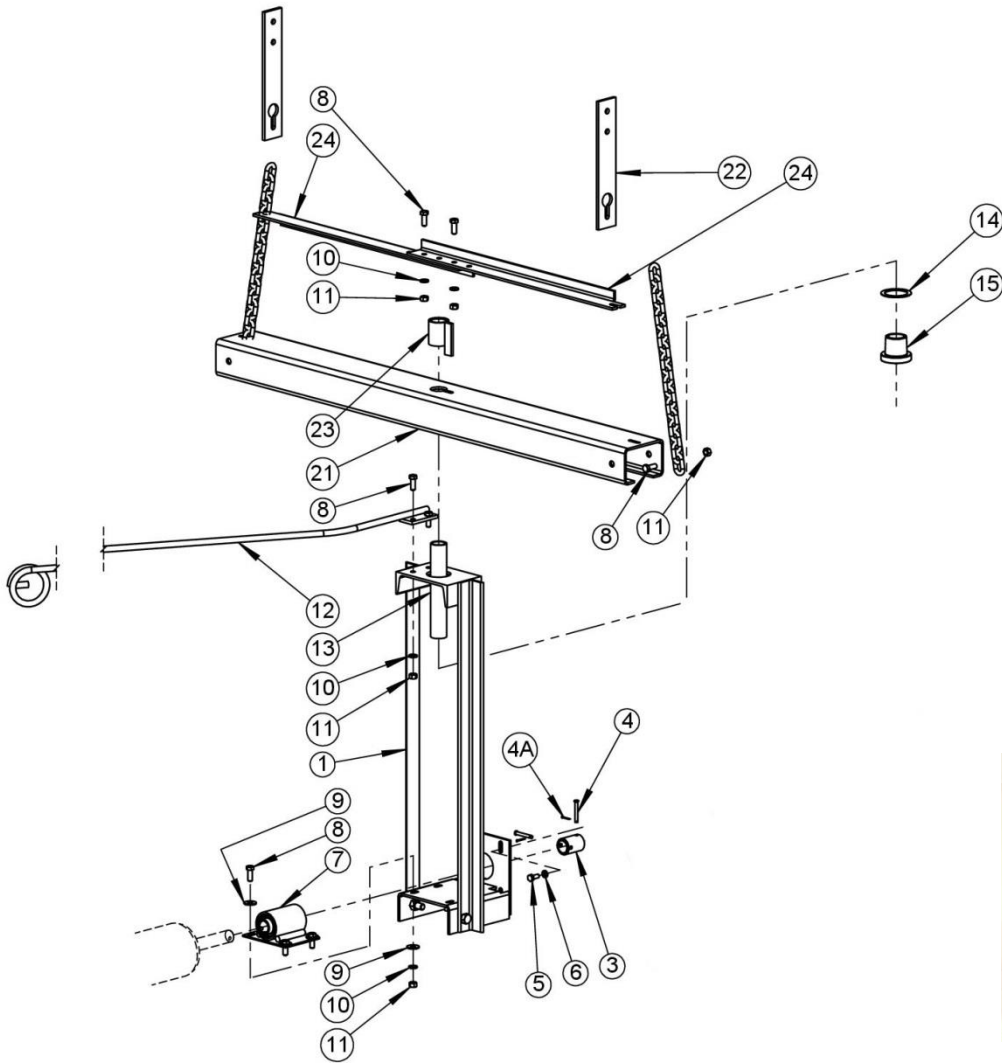


Mimersvej 5 · DK-8722 Hedensted

Tel +45 75 68 53 11 Fax +45 75 68 54 70

[www.sukup-eu.com](http://www.sukup-eu.com)

CENTER HANGER ASSEMBLY



120A00-16-CDk050 – Rotating contact for stirring system, 16 pol, 2 + 3 augers.  
120GSk-58-22 - Rotating contact for stirring system, 20 pol, 4 + 5 augers.



202SK1SI63-F1-2kl – Gearmotor for rotating bar on stirring system, 1 phase, 2 capacitor system (older)

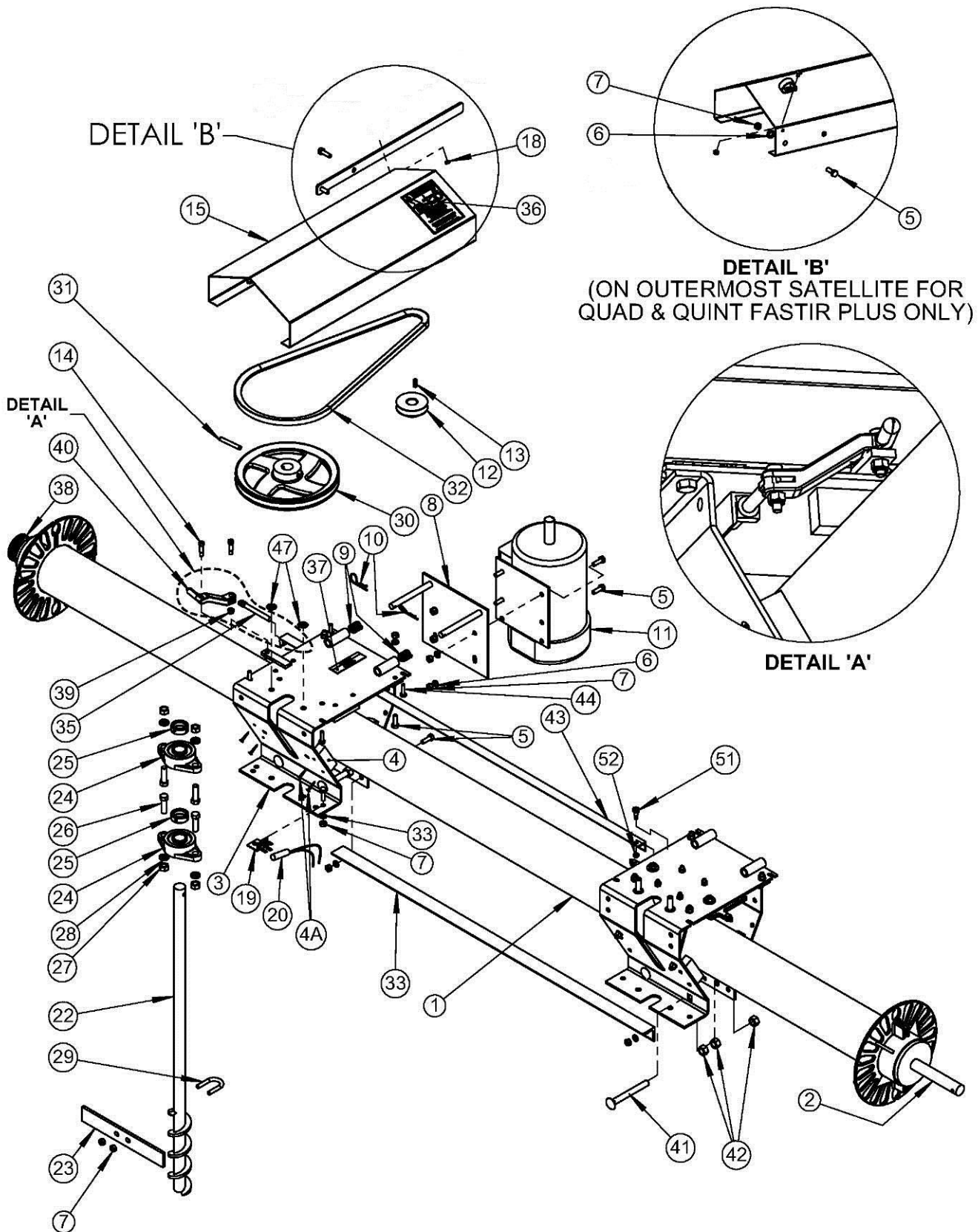


202SK1SI63-40-F3 - Gearmotor for rotating bar on stirring system, 3 phase system

## Fastir - Omrøre

Ref#	Description	Qty	Comp.#
1	Center Hanger (Fastir)	1	A7504
2	Gearmotor (Prior 2014)	1	202SK1SI63-F1-2kl
	Gearmotor		202SK1SI63-40-F3
	Skærm til gearmotor/bom		3117035B
3	Tube Coupler, 1" ID	1	A5318
4	Safty-pin (incl. Split J1419)	2	J1538
5	Bolt 5/16 - 18 x 3/4 Gr. 5	4	J0520
6	Lockwasher 5/16	4	J1200
7	Pillow Block for 21' - 36' bin	1	A5649
	Pillow Block for 42' - 60' bin		A5651
8	Bolt, 3/8 - 16 x 1" Gr. 5	8	J0606
9	FlatWasher, 3/8"	4	J1117
10	LockWasher, 3/8"	8	J1205
11	Nut, 3/8" - 16	8	J1020
12	Cord Hanger	1	A5609
13	Hanger Pipe 18-24'	1	A5603
	Hanger Pipe 27'	1	A5604
	Hanger Pipe 29-31'	1	A5605
	Hanger Pipe 33-37'	1	A5606
	Hanger Pipe 42'	1	A5607
	Hanger Pipe 48'	1	A5608
	Hanger Pipe 54'	1	A56082
	Hanger Pipe 60'	1	A56083
14	Brass Washer	1	A5601
15	Cast Bushing	1	A5602
16	Vinkel 90 gr. Omrøresystem	1	121000092408
17	Nippelmuffe	1	121000241443
18	Forskruning	1	1210413112349
21	Channel Hanger	1	A4827
22	Hanger, 11" Large stirring Machine	2	A7509
23	Coupling w/tab	1	A56101
24	Chain Spreader Bar Kit - Optional	1	A5635
25	Chain, 4-1/2 (Bins up to 22')	2	A4823
	Chain 5-1/2 (Bins 22 to 34')		A4824
	Chain 6-1/2 (Bins 34 on up)		A4825
26	Tube 1" 60 cm. (for cable protection)	1	3117226111

# Fastir - Omrøre



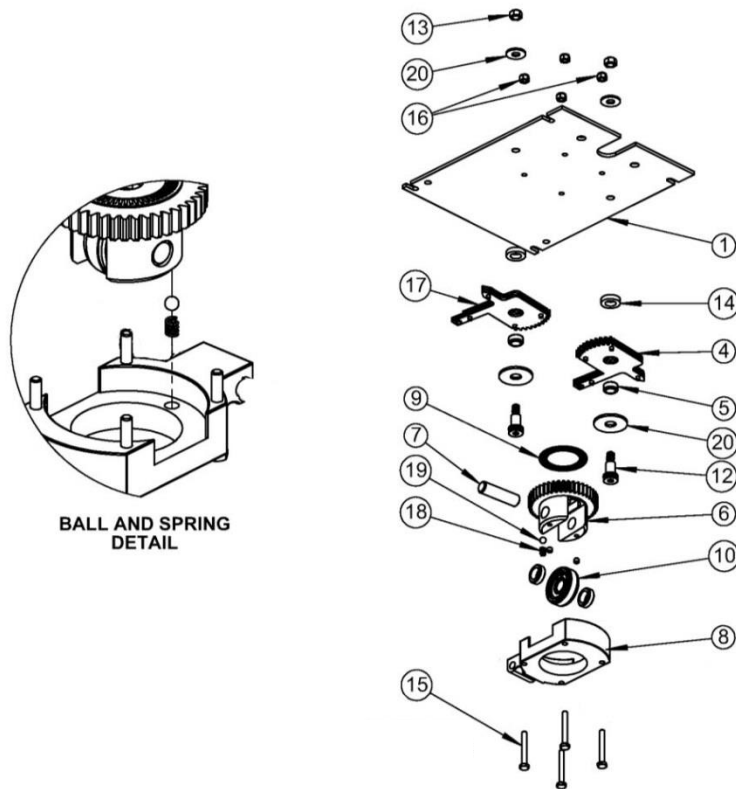
## Fastir - Omrøre

Ref#	Description	Qty	15-36	42-48	54-60
1	Crosstube, Fastir, 18'	1	A8126		
	Crosstube, Fastir, 21'	1	A8128		
	Crosstube, Fastir, 24'	1	A8130		
	Crosstube, Fastir, 27'	1	A8132		
	Crosstube, Fastir, 30'	1	A8134		
	Crosstube, Fastir, 33'	1	A8136		
	Crosstube, Fastir, 36'	1	A8138		
	Crosstube, Fastir, 42'	1		A81372	
	Crosstube, Fastir, 48'	1		A81371	
	Crosstube, Fastir, 54'	1			A81353
	Crosstube, Fastir, 60'	1			A81354
2	Inner Slug, 1" Shaft	1	A4822		
	Inner Slug, 1-1/4" Shaft	1		A4817	
3	Satellite Carriage	1	A8502	A6135	
4	Bearing Block incl. Screws (J0463)	6	A8561	A8561	A8561
5	Bolt, 5/16" - 18 x 1"	7	J0527	J0527	J0527
6	Lockwasher, 5/16", Split	7	J1200	J1200	J1200
7	Nut, 5/16"	9	J1002	J1002	J1002
8	Motor Mount	1	A5209D	A5209D	A5209D
9	Spring Comp.	2	J2365	J2365	J2365
10	Hairpin Clip	3	J5410	J5410	J5410
11	Elmotor 2,2 kW/1400/B3 Ø24		127102203SH	127102203SH	127102203SH
12	Pulley SPA 85-1 f/1210T	1	2041008501	204121008501	204121008501
	Taperlock 1210-24	1	20410120024	20410120024	2040120024
13	Key, 3/16" x 3/16" x 3/4"	1	A7522	A7522	A7522
14	Shoulder Bolt, 5/16", 3/4"	3	J0521	J0521	J0521
15	Outer Carriage Shield	1	A8508	A6120	
17	Machine Screw #10-24	1	J0514	J0514	J0514
18	Nut, #10-24	1	J0985	J0985	J0985
19	Tilt Switch Bracket	1	A5365	A5365	A5365
20	Tilt Switch	1	A5365T*	A5365T*	A5365T*
22	Down Auger	1	A4765	A4765	A4765
23	Flinger	1	A5616	A5616	A5616
24	Bearing 1"	2	J00031-SKF	J00031-SKF	J00031-SKF
25					
26	Bolt, 7/16" 1 1/2" Gr. 5	4	J0710	J0710	J0710
27	Nut 7/16" - 14	4			
28	LockWasher, 7/16"	4	J1210	J1210	J1210
29	U-Bolt	1	J0810	J0810	J0810
30	Pulley 9" x 1"	1	J0355	J0355	J0355
31	Rollpin, 5/16" x 2 1/4"	1	J1510	J1510	J1510
32	Belt	1	3101AX48OPTI	3101AX52OPTI	3101AX52OPTI
33	Tie bar				
35	Bolt, Spade	1	A8550	A8550	A8550
36	Decal, Warning	1	L0284	L0284	L0284
37	Decal, Replace Shield	1	L0271	L0271	L0271
38	Outer Slug w/ drive wheel	1	A8085	A8089	A8089
39	Locknut, 1/4"	3	J0992	J0992	J0992
40	Toggle Arm	1	A8505	A8505	A8505
41	Bolt, Carriage	4	J07592	J07592	J07592
42	Nut, Hex, 1/2"	12	J1040	J1040	J1040
43	Reversing Rod				
44	Bolt, 1/4" x 1"	4	J0508	J0508	J0508
46	Lockwasher, 1/2"	3	J1215	J1215	J1215
47	Push Nut, 7/16"	2	J1036	J1036	J1036

\*Old models can be with mercury - not available.

# Fastir - Omrøre

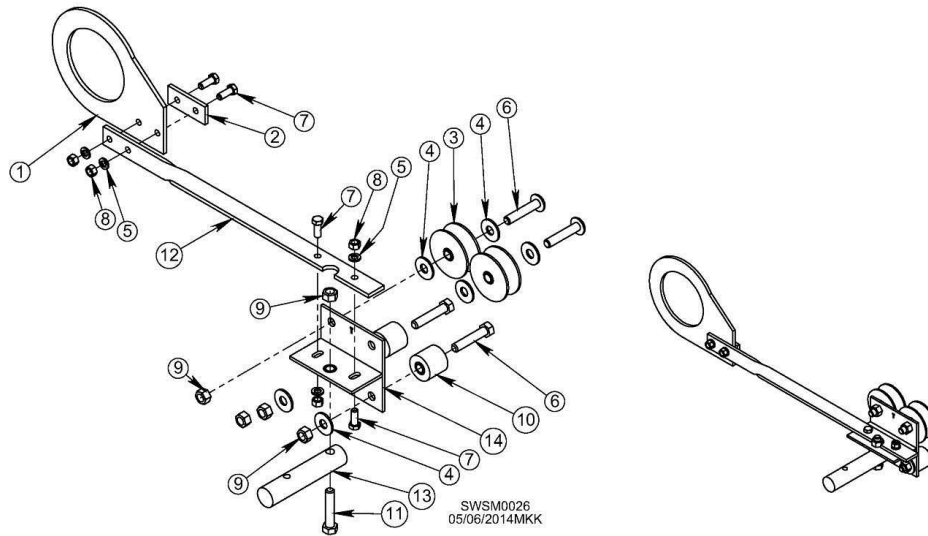
## REVERSING MECHANISM ASSEMBLY



Ref#	Description	Qty	Comp.#
1	Plate Reversing Carriage	1	A5693
2	Rød Gummistop 2 stk.	1	1981001016-DOB
4	Toogle Gear	1	A80453
5	Bushing, 1/2" x 3/4" x 5/8"	2	J00823
6	Set Screws 1/4" x 1/4"	2	A8043
			J1074
7	Pin, 2 3/8" long	1	A8044
8	Housing	2	A8042
9	Thrust Bearing	1	J0058
10	* Knurled Drive Bearing (Replacement for J0057) (Complete with Bushings)	1	A80691*
	Bushing. 339	2	A8074
	Snap Ring. 1.5652 TRC	1	J3696
12	Bolt, 1/2" - 13 x 1 1/2" - Gr. 5	2	J07229
13	Nut, 1/2" - 13, Center Lock Jam	2	J1025
14	Machine Bushing, 1/2" - 18 Ga.	2	A85075
15	Boll, 1/4"-20 x 2" Gr. 5	4	J05134
16	Lock Nut, 1/4"-20	4	J0992
17	Reversing Gear	1	A80452
18	Spring, Comp, 5/16" OD x .54" long	1	J2363*
19	Ball, Steel, 5/16"	1	J3308*
20	Flatwasher, 3/8, PLT	2	J1117

\*Sold together 10-18-19

## Fastir - Omrøre



Ref #	Description	Qty	Comp #
1	Bracket, Plate, Trolley – 4 ½", UHMW	1	A4517
	Bracket, Plate, Trolley – 5 ½", UHMW	1	A45171
2	Trolley Bracket Cover	1	A4518
3	Wheel, Trolley, w/ Bushings	2	A6048
3A	Bushing, 1/2" x 3/4" x 3/4"		J0073
3B	Bushing, 1/2" x 3/4" x 1/2"		J0072
4	Flatwasher, 1/2"	6	J1125
5	Lockwasher, 3/8", PLT	4	J1205
6	Screw, 1/2"-13, 2.5", Gr5, BHCS	5	J07463
7	Screw, 3/8"-16, 1.25", PLT	4	J0616
8	Nut, Hex, 3/8"-16, PLT	4	J1020
9	Nut, Hex, Lock, 1/2" - 13	5	J1042
10	Roller, Trolley, w/ Bushings	2	A6049
10A	Bushing, 1/2" x 3/4" x 1"		J0074
10B	Bushing, 1/2" x 3/4" x 1/2"		J0072
11	Screw, ½"-13, 2.5", GR5, HHCS	3	J0746
12	Bracket, Bar, Pivot Trolley	1	A45161
13	Shaft, Connect, Pivot Trolley	1	A45131-01
14	Bracket, Weldment, Pivot Trolley	1	A45122

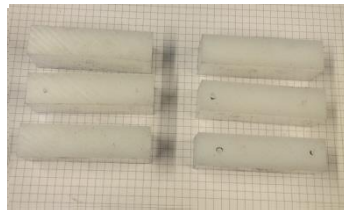
## Common Replacement Parts

Following are photos, part numbers and descriptions of common replacement parts on Sukup Fastir. For reference, **parts are pictured on graph paper with half cm. squares.**

### Fastir



J0463 – Screws for A8561



A8561 – Bearing block incl. Screws



J1538 – Safety pin, stirring system  
Incl. split J1419. For A5318



J5410 – Hairpin clip



J23651 – Spring Comp., 1 ½”  
CL x ½” ID



A5209D – Motor mount



3101AX48OPTI – Belt for  
stirring system, 4 ½”, for  
tube, 21’- 36’ bin



3101AX52OPTI – belt for  
stirring system, 5 ½”,  
tube, 42’- 60’ bin



120A00-16-CDk050 – Rotating contact  
for stirring system, 16 pol, 2 + 3  
augers.

120GSk-58-22 - Rotating contact for  
stirring system, 20 pol, 4 + 5 augers.



## Fastir - Omrøre



202SK-MS631-4-1 – Electric motor for gear for carriage, 3 phase system



202SK1SI63-40-F3 - Gearmotor for rotating bar on stirring system, 3 phase system



202SK-MS631-4-1 – Electric motor for gear for carriage, 3 phase system



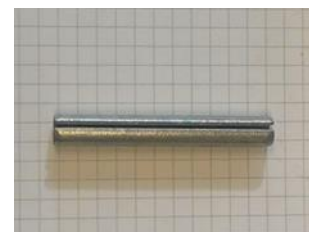
202SK1SI63-40-F3 - Gearmotor for rotating bar on stirring system, 3 phase system



J0355 – Pulley 9"



J00031-SKF - Flange bearing, 1"



J1510 – Rullpin 5/16 x 2 1/4",  
For pulley J0355

---

## Fastir - Omrøre

---



A5649 - Bearing, pillow block comp., 1"  
for 21' - 36' bin



A5651 - Bearing, pillow block comp., 1 1/4"  
for 42' - 60' bin



J0030 - Clamp bearing, 1"  
For A5649



A5318 - Coupler 1" tube.