

# Sweepway - Tømmesystem

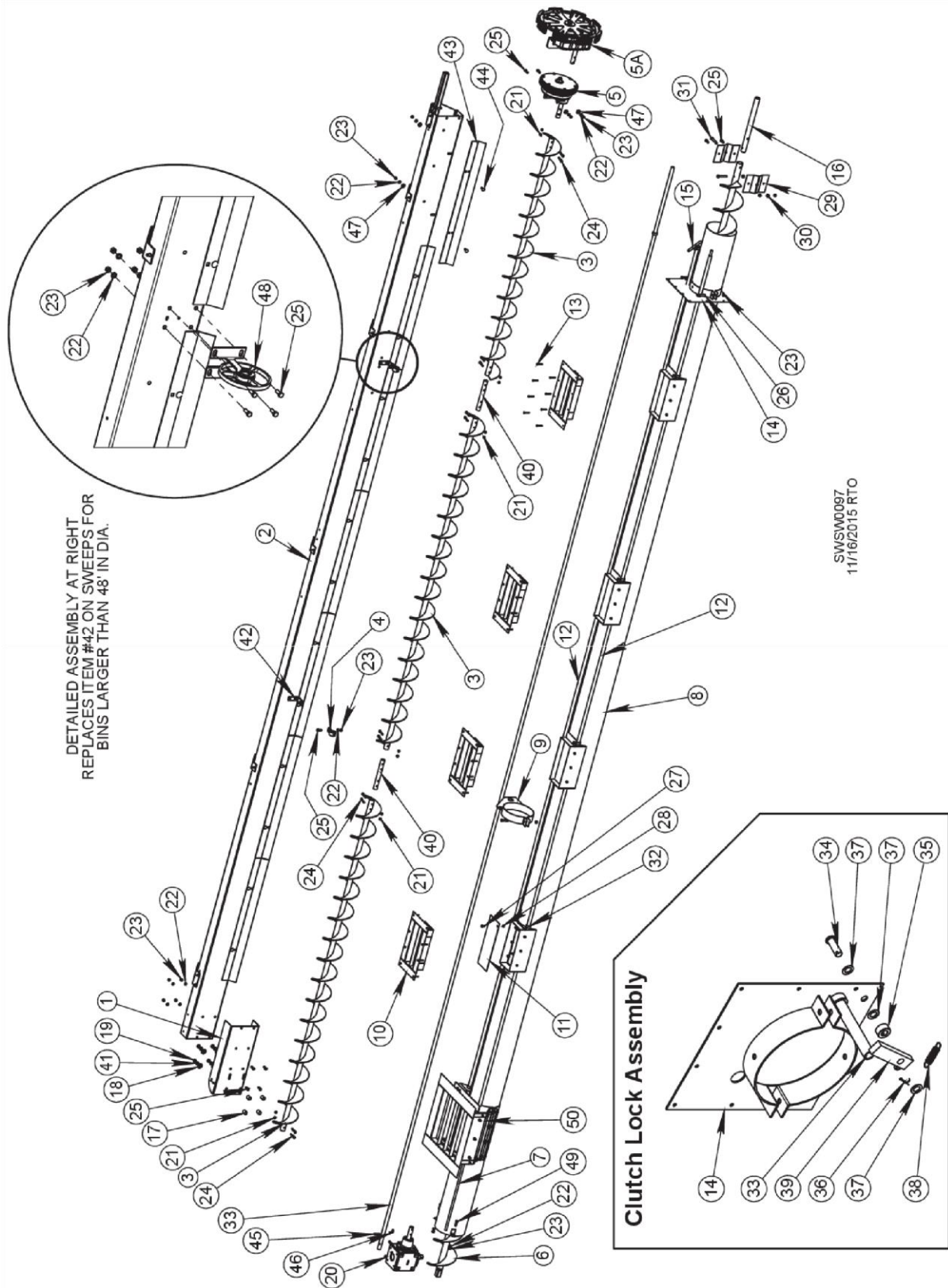


Mimersvej 5 · DK-8722 Hedensted

Tel +45 75 68 53 11 Fax +45 75 68 54 70

[www.sukup-eu.com](http://www.sukup-eu.com)

**TUBE, AUGERS & SWEEP**  
**6", 8" & 10"**



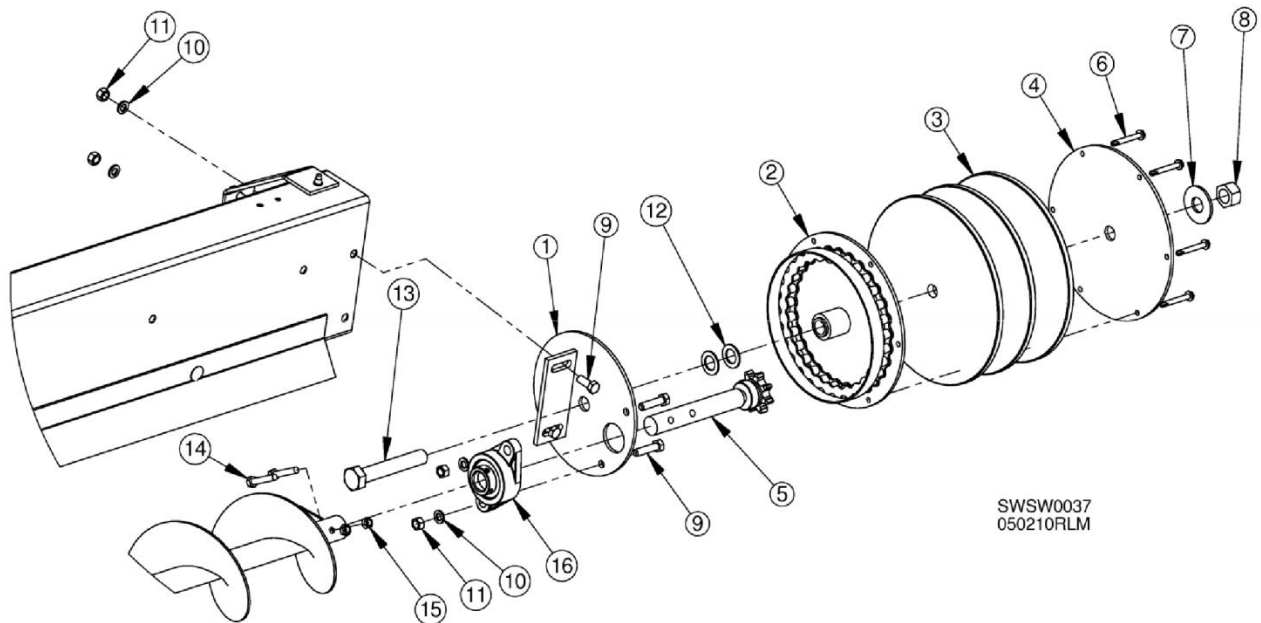
DETAILED ASSEMBLY AT RIGHT  
 REPLACES ITEM #42 ON SWEEPS FOR  
 BINS LARGER THAN 48" IN DIA.

SWSW0097  
 11/16/2015 RTO

## Sweepway - Tømmesystem

	Description	Qty	6"	8"	10"
1	Extension bracket	1	E6976	E6976	E6976
2	Decal, DANGER, Keep Away when ...	1			
3	Sweep auger * (Need bin dia., pitch, length) **	**	See page 6		
4	Support bushing **	**	E6065	E6065	E6065
5	Reduction wheel	1	E6094	E6092	E6093
5A	16-to-1 reduction drive wheel assembly ***	1	E7336	E7338	E7340
6	Unload auger flight assembly **	**	See page 6		
7	Center sump gate pull rod *	1	E61--	E61--	E61--
8	Unload tube *	1	See page 6		
9	Clutch rod support clamp	1	E5314	E5364	E53162
10	Top half intermediate sump **	**	E5410	E5410	E5411
11	Intermediate slide gate **	**	E5409	E5409	E5409
12	Intermediate sump gate pull rod *	1			
13	Tek screw, #10 - 16 x 1-1/2" **	**	J0502	J0502	J0502
14	Bin collar w/ clutch lock assy.	1	E5405	E5406	E5362
15	Intermediate sump rod handle, 7/8"	1	E5404	E5404	E5404
16	Auger shaft, 1998	1	E90061	E54151	E54142
17	Spacer, 6 & 8", 1/2" ID x 1"; 10", 1/2" ID x 1-3/8"	4	E6014	E6014	E6013
18	Flat washer, 7/16"	4	J1120	J1120	J1120
19	Hex nut, 7/16" x 14	4	J1035	J1035	J1035
20	Stud bolt, 7/16 - 14 x 2-3/4", PLT, GR5	4	J07211	J07211	J07211
21	Lock nut, 5/16" - 18	**	J1010	J1010	J1010
22	Split lock washer, 3/8"	**	J1205	J1205	J1205
23	Hex nut, 3/8 - 16, PLT	**	J1020	J1020	J1020
24	Bolt, 5/16 - 18 x 1-3/4", GR5	**	J0570	J0570	J0570
25	Bolt, 3/8 - 16 x 1", GR5 **	**	J0606	J0606	J0606
26	Threaded bolt, 3/8 - 16 x 1-3/4", GR5, FL	**	J0640	J0640	J0640
27	Bolt, 5/16 - 18 x 3/4", GR5	**	J0520	J0520	J0520
28	Hex nut, 5/16" - 18, PLT	**	J1002	J1002	J1002
29	Corn flipper only	2	E5689	E5689	E5689
30	Lock nut, 5/16" - 18	**	J1010		
	Lock nut, 7/16" - 14	**		J1034	J1034
31	Bolt, 5/16 - 18 x 2", GR5	**	J0585		
	Bolt, 7/16 - 14 x 2-1/2"	**		J0720	
	Bolt, 7/16 - 14 x 3"	**			J0722
32	32 Shaft collar, 7/8"	**	J1330	J1330	J1330
33	33 Clutch pull rod *	1			
34	Picker pin, 1/2 x 1-1/2"	2	J1550	J1550	J1550
35	Shaft collar, 1/2"	1	J1320	J1320	J1320
36	Cotter, 1/8 x 1"	1	J1420	J1420	J1420
37	Machine bushing, 1/2" x 18ga	3	J1250	J1250	J1250
38	Pawl spring	1	J2360	J2360	J2360
39	Clutch latch	1	E5408	E5408	E5408
40	Connecting shaft	**	E6704-	E6704-	E6704-
41	Split lock washer, 7/16, PLT	4	J1210	J1210	J1210
42	Assembly bushing support **	**	E6089	E6090	E6091
43	Galvanized backboard scraper, 36"	**	E8430	E8430	E8430
	Galvanized backboard scraper, 18"	**	E8431	E8431	E8431
44	Carriage bolt, 3/8 x 1"	**	J06064	J06064	J06064
45	Picker pin, 3/8 x 1-1/2"	**	J1541	J1541	J1541
46	Hairpin clip, .09 x 2	**	J5410	J5410	J5410
47	Flat washer, 3/8"	**	J1117	J1117	J1117
48	Carrier wheel, 8" and 10" assembly, 2005	**		E7734	E7725
49	Bolt, 3/8 - 16 x 1-1/4"	**	J0616	J0616	J0616
50	Independent intermediate sump	1		E7996	E7999
	* Specify bin size **Quantities may vary w/bin size *** For use in bin 36' dia and				

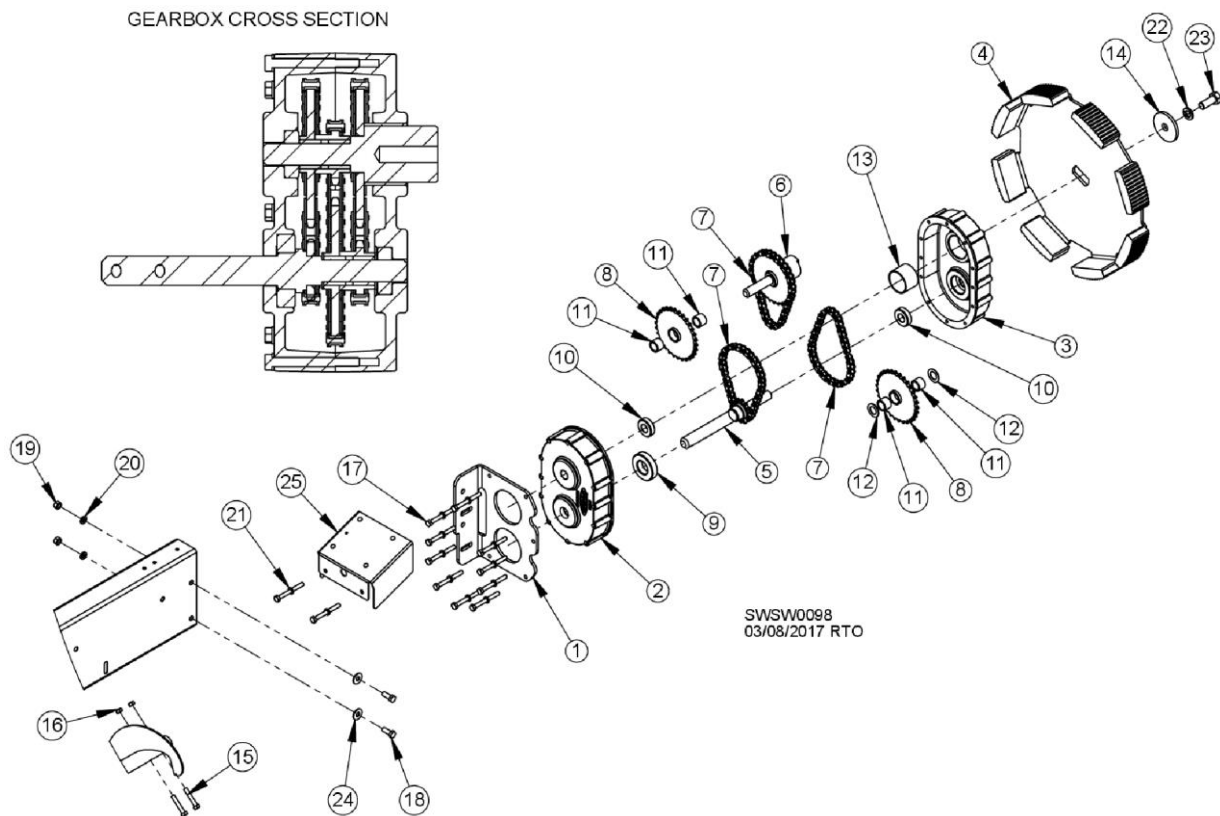
4 – TO – REDUCTION DRIVE WHEEL



SWSW0037  
050210RLM

REF.#	DESCRIPTION	Qty	6"	8"	10"
	Complete wheel	1	E6094	E6092	E6093
	Complete wheel, old green model	1	E6041	E6042	E6043
<b>1</b>	6" assembly mount, 2010	1	E6095		
	8" assembly mount, split, w/ brng.	1		E6096	
	10" assembly mount, split, w/ brng.	1			E6097
<b>2</b>	Back plate w/ roller, 2010	1	E6087	E6087	E6087
<b>3</b>	10" rubber ring, 2000	3	E60121	E60121	E60121
<b>4</b>	Back plate, 9.25" Dia., 2010	1	E6088	E6088	E6088
<b>5</b>	Drive shaft w/ 8-tooth sprocket	1	E6049	E6049	E6049
<b>6</b>	Self-drilling screw, 1/4 - 14 x 2-1/4, PLT	6	J05041	J05041	J05041
<b>7</b>	Flat washer, 3/4", PLT	1	J1130	J1130	J1130
<b>8</b>	Lock nut, 3/4" - 10, GR5	4	J1057	J1057	J1057
<b>9</b>	Screw, 3/8 - 16 x 1", PLT, GR5	4	J0606	J0606	J0606
<b>10</b>	Split lock washer, 3/8", PLT	4	J1205	J1205	J1205
<b>11</b>	Hex nut, 3/8" - 16, PLT	4	J1020	J1020	J1020
<b>12</b>	Machine bushing, 3/4 x 1-1/4", 14ga, N-rim	2	J1260	J1260	J1260
<b>13</b>	Screw, 3/4 -10 x 4-1/2", PLT, GR5	1	J0817	J0817	J0817
<b>14</b>	Screw, 5/16 - 18 x 1-3/4", PLT, GR5	2	J0570	J0570	J0570
<b>15</b>	Lock nut, 5/16" - 18, PLT	2	J1010	J1010	J1010
<b>16</b>	1" flange bearing w/ locking collar	1	J00031-SKF	J00031-SKF	J00031-SKF

16 – TO – 1 REDUCTION DRIVE WHEEL



REF.#	DESCRIPTION	QTY.	6"	8"	10"
	Complete gearbox w/ bracket	1	E7335	E7337	E7339
	Gearbox bracket	1	E7306	E7308	E7310
2*	Gearbox inside side cover	1	E7317	E7317	E7317
3*	Gearbox outside cover	1	E7318	E7318	E7318
	Wheel, 17" OD	1	E7349	E7349	E7349
5	Gearbox input shaft weldment w/ sprocket	1	E7320	E7320	E7320
6	Gearbox output shaft weldment w/ sprocket	1	E7319	E7319	E7319
7	Chain, # 40, 37 links	3	E7327	E7327	E7327
	Sprocket tree, 4A30-40A12, 1" bore	2	J7317	J7317	J7317
9	Bearing, 1-1/4" ID, 2-1/2" OD	1	J0060	J0060	J0060
10	Bearing, 3/4" ID, 1-5/8" OD	2	J00703	J00703	J00703
11	Bushing, 3/4" ID, 1-3/4" OD	4	J00745	J00745	J00745
	Thrust washer, 3/4" ID, 1-2/4" OD	2	J00746	J00746	J00746
13	Bushing, 1-15/16" ID, 2-1/8" OD	1	J00817	J00817	J00817
14	Flat washer, 11/16"	1	E7322	E7322	E7322
15	Screw, 5/16 - 18 x 1-3/4"	2	J0570	J0570	J0570
	Lock nut, 5/16" - 18	2	J1010	J1010	J1010
17	Screw, 5/16 - 18 x 3"	12	J05952	J05952	J05952
18	Screw, 3/8 - 16 x 1"	2	J0606	J0606	J0606
19	Hex nut, 3/8" - 16	2	J1020	J1020	J1020
20	Split lock washer, 3/8"	2	J1205	J1205	J1205
	Split lock washer, 5/16"	12	J1200	J1200	J1200
22	Split lock washer, 5/8"	1	J1218	J1218	J1218
23	Screw, 5/8 - 11 x 1-1/2"	1	J0781	J0781	J0781
24	Flat washer, 3/8"	2	J1117	J1117	J1117
25	Gearbox reclaim shield	1	E7358	E7358	E7355

\* Must be replaced together if replacement necessary

## Sweepway - Tømmesystem

Sneglevindinger for fejesnegl og tømmesystem						Ved sump	Kort stykke
Feje snegl	Part nr. ved gear	Part nr.	Part nr. ved drivhjul		Tømmesnegl	Part nr.	Part nr.
6"- 48'	E81269-02	E81269-02	E81272-02	Ø150	6"- 48'	E6447	E64473D
6"- 42'	E81269-02	E81269-02	E83069-02		6"- 42'	E6447	E64472D
6"- 36'	E81269-02	E81269-02			6"- 36'	E6417D	
6"- 33'	E81249-02	E81249-02			6"- 33'	E6436D	
6"- 30'	E81229-02				6"- 30'	E6435D	
6"- 27'	E81189-02				6"- 27'	E6434D	
6"- 24'	E81169-02				6"- 24'	E6433D	
6"- 21'	E81149-02				6"- 21'	E6432D	
6"- 18'	E81109-02				6"- 18'	E6431D	
6"- 15'	E81119-02				6"- 15'	E6430	
8"- 60'	E81529-08 (*2)	E81669-08	E81729-08	Ø200	8"- 60'	E6472	E64641
8"- 54'	E81529-08 (*2)	E81669-08	E81709-08		8"- 54'	E5472	E64621
8"- 48'	E81529-02	E81529-02	E81629-02		8"- 48'	E6472	E64602
8"- 42'	E81529-02	E81529-02	E81609-02		8"- 42'	E6472	E64582
8"- 36'	E81529-02	E81529-02			8"- 36'	E6457	
8"- 33'	E81509-02	E81509-02			8"- 33'	E6456	
8"- 30'	E81489-02	E81489-02			8"- 30'	E6455	
8"- 27'	E81449-02	E81449-02			8"- 27'	E6454	
8"- 24'	E81409-02				8"- 24'	E6453	
8"- 21'	E81369-02				8"- 21'	E6452	
8"- 18'	E81309-02			8"- 18'	E6451		
10"- 72'	E81889-02 (*2)	E81969-02	E82032-02 (*2)	Ø250	10"- 72'	E6497	E6499
10"- 60'	E81889-02 (*2)	E81969-02	E82029-02		10"- 60'	E6497	E64941
10"- 54'	E81889-02 (*2)	E81969-02	E82009-02		10"- 54'	E6497	E64922
10"- 48'	E81889-02	E81889-02	E81969-02		10"- 48'	E6497	E64901
10"- 42'	E81889-02	E81889-02	E81909-02		10"- 42'	E6497	E64883
10"- 36'	E81889-02	E81889-02			10"- 36'	E6497	E64871
10"- 33'	E81869-02	E81889-02			10"- 33'	E64861	
10"- 30'	E81849-02	E81889-02			10"- 30'	E6485	
10"- 27'	E81809-02	E81889-02			10"- 27'	E6484	
10"- 24'	E81789-02				10"- 24'	E6483	