

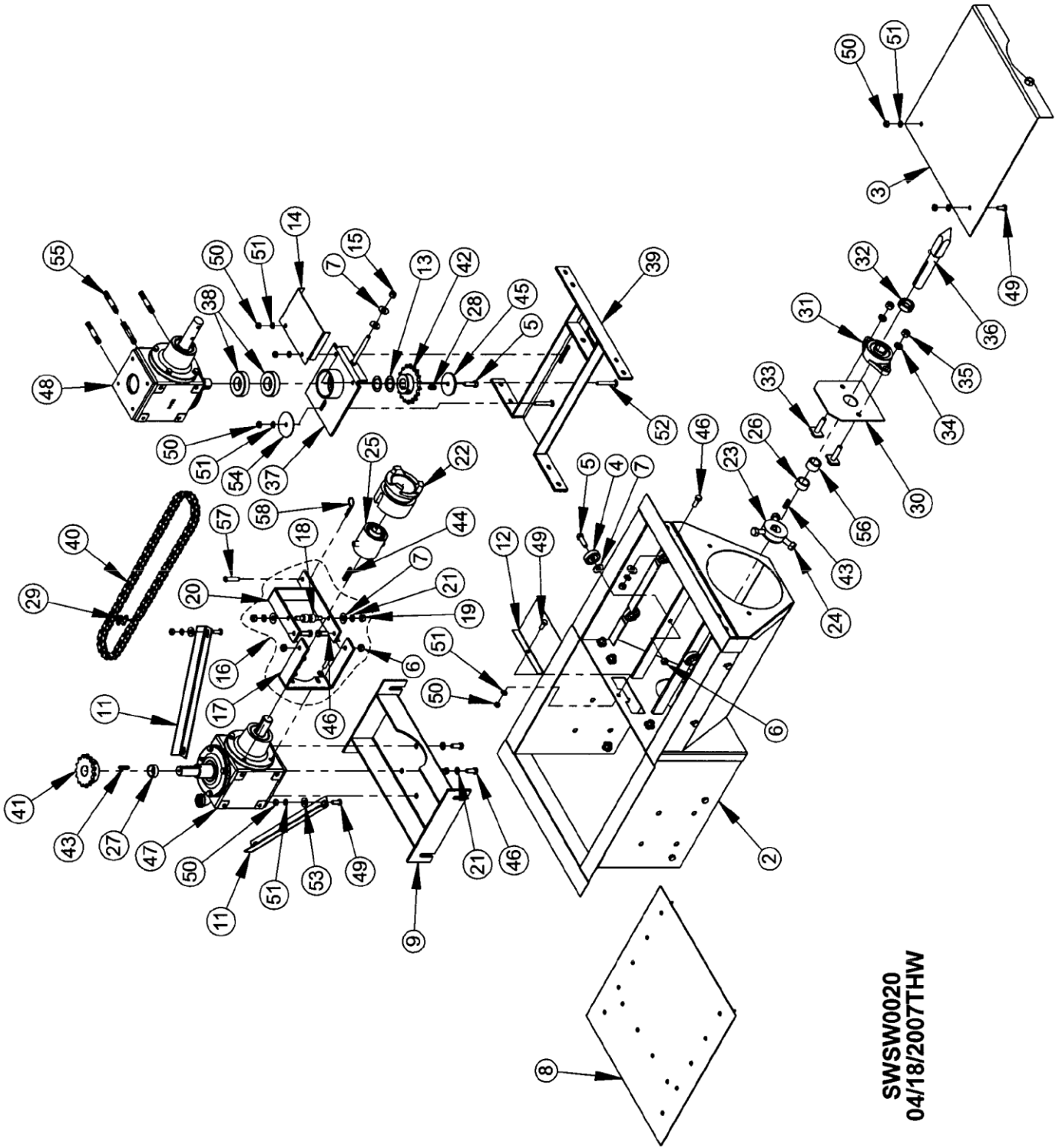
Sump



Mimersvej 5 · DK-8722 Hedensted
Tel +45 75 68 53 11 Fax +45 75 68 54 70
www.sukup-eu.com

Center Sump

6" & 8" CENTER SUMP (før 2011)



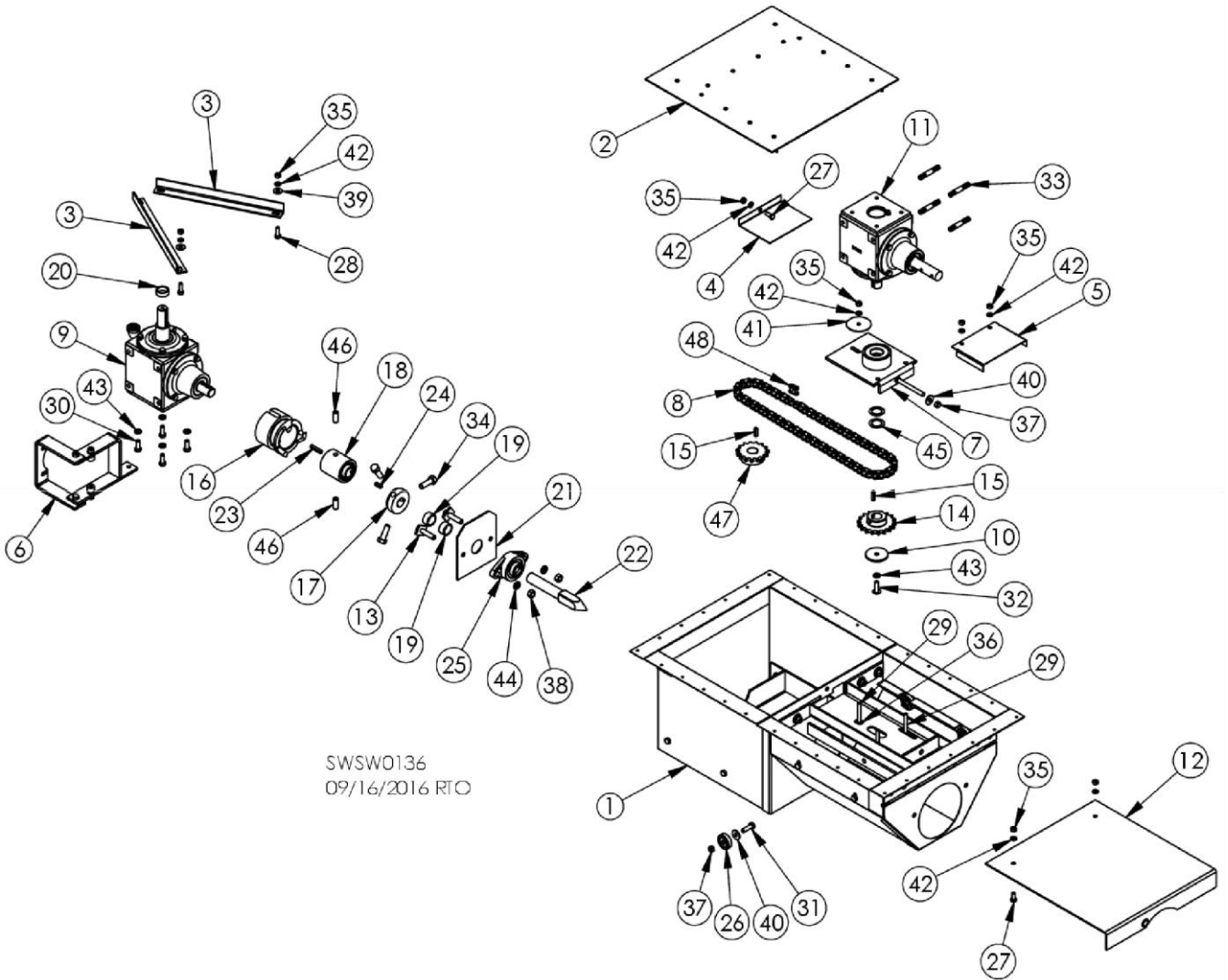
SWSW0020
04/18/2007THW

Center Sump

REF.#	DESCRIPTION	QTY	6" COMP #	8" COMP #
1	Sweep sump & gearboxes Complete	1	E5331	E5332
2	Center sump Shell	1	E5300	E5301
3	Center Slide Gate	1	E5303	E5304
4	Roller bearing 1 1/2	6	J0045	J0045
5	Bolt 3/8-16 x 1 1/4" GR5	8	J0616	J0616
6	Locknut, 3/8"-16	6	J1025	J1025
7	Washer, 3/8" PLT	19	J1117	J1117
8	Center sump cover	8	E5306	E5306
9	Rear gearbox support bracket	1	E5307	E5307
11	Center sump brace	2	E5308	E5308
12	Chain Cover	1	E5309	E5309
13	Bushing, Machine 1-18 Ga.	2	J1266	J1266
14	Cover gearbox support	1	E5312	E5312
15	Nut 3/8 - 16 PLT hex	20	J1020	J1020
16	Clutch shifter arm complete assembly	1	E5313	E5313
17	Clutch shifter arm support bracket	1	E5311	E5311
18	Bearing 75 (cam follower)	2	J0035	J0035
19	Nut 3/8 - PLT hex	2	J1030	J1030
20	Clutch Shifter arm weldment	1	E53131	E53131
21	Lockwasher, 3/8" split	19	J1205	J1205
22	Engaging Clutch, Tree Tooth	1	E60011	E60011
23	3Dog clutch disc.	1	E6002	E6002
24	Bolts 1-1/2 x 1/2"	3	J0730	J0730
25	Clutch base w/set & pilot bearing, 2 bolt Only the bearing	1	E60031 + J1390 J0030	E60031 + J1390 J0030
26	Spacer, 3/4" long for 6" & 8"	1	E60041	E60041
27	Spacer, 7/16" long	1	E60042	E60042
28	Key 1/4" x 3/4	1	G7508	G7508
29	Chain Link #50, Connector	1	204711050100	204711050100
30	Mounting Plate	1	E6005	E6005
31	Flangebearing, 1"	1	J00031-SKF	J0010-SKF
32	Locking Collar, 1"	1	Included the bearing	Included the bearing
33	Bolt 7/16 - 14 x 1 1/2", Gr. 5	2	E5570	E5570
34	Lockwasher, 7/16" split	6	J1210	J1210
35	Nut, 7/16 - 14 hex	2	J1035	J1035
36	Square end auger shaft	1	E6006	E6006
37	Top gear box bearing support slide plate w/bearings	2	E5317	E5317
38	Sealed bearing, 1 1/4	2	J0060F	J0060
39	Top gearbox support bracket	1	E5318	E5318
40	Chain #50 (73 links & 1 connector)	1	E5319	E5319
41	Sprocket 1" bore #50B12 /#50B15	1	J1660 / J1665	J1660 / 1665
42	Sprocket 1" bore #50A18	1	E5837	E5837
43	Key 1/4" Sq x 1	2	E5915	E5915
44	Key, 1/3" x 1 1/2"	1	E9007	E9007
45	Spacer washer, 3/8"	1	E5324	E5324
46	Bolt 3/8 - 16 x 1 Gr. 5	10	J0606	J0606
47	Rear gearbox Complete (See Gearbox section)	1	E5320	E5320
48	Top gearbox complete (See gearbox section)	1	E5325	E5325
49	Bolt, 5/16" split	8-12	J0520	J0520
50	Nut 5/16-18 PLT hex	10-14	J1002	J1002
51	Lockwasher, 5/16"split	9	J1200	J1200
52	Bolt 5/16 - 18 x 2 1/4" Carriage, Tap	2	J0588	J0588
53	Washer, 5/16, Flat, PLT	4	J1111	J1111
54	Washer 2 1/12" OD x 3/8" ID	1	J1140	J1140
55	Stud Bolt 7/16-14 2	4	J07211	J07211
56	Spacer, 3/4" Long	1	E6004	E6004
57	Pin Picker, 3/8 x 1 1/2	1	J1541	J1541
58	Clip, Hair Pin	1	J5410	J5410

Center Sump

6" CENTER SUMP



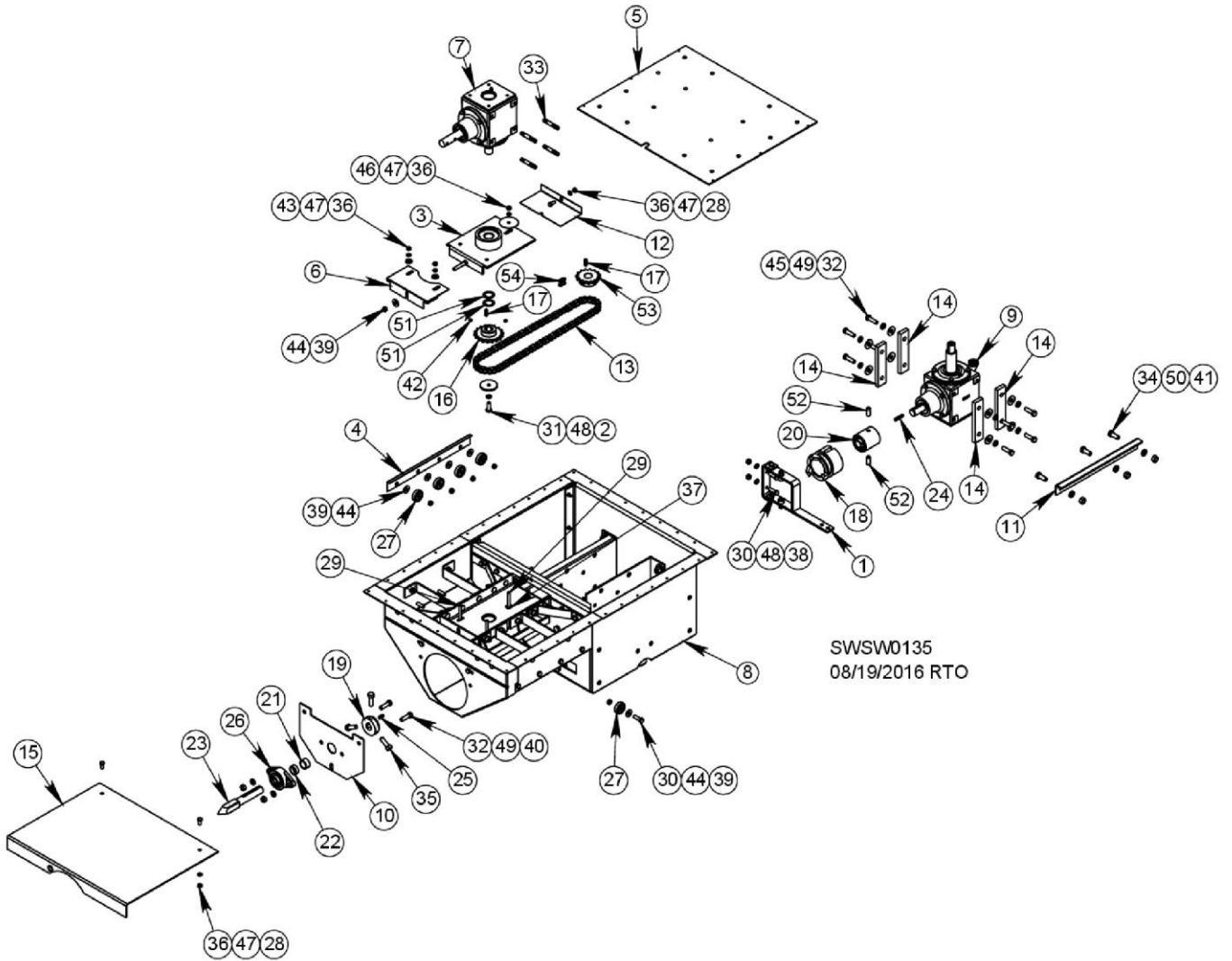
SWSW0136
09/16/2016 RTO

Center Sump

REF.#	DESCRIPTION	QTY	COMP.#
1	Center sump shell	1	E5300
2	Center sump cover	1	E5306
3	Center sump brace	2	E5308
4	Chain cover	1	E5309
5	Gearbox support cover	1	E5312
6	Clutch shifter arm assembly	1	E5313
7	Top gearbox bearing support slide plate w/ bearings	1	E5317
	Only the bearing	1	J0060F
8	#50 chain, 73 links & 1 connector link	1	E5319
9	Lower gearbox	1	E5320
10	Spacer washer, 3/8" ID, 2-1/4" OD	1	E5324
11	Top gearbox	1	E5325
12	Slide gate	1	E5476
13	Bolt, 7/16 - 14 x 2"	2	E5570
14	Sprocket, 1" bore*	1	E5837
15	Key, 1/4" sq. x 1"	2	E5915
16	Three-tooth engaging clutch	1	E60011
17	3-bolt clutch base	1	E6002-01
18	Clutch base w/ set & pilot bearing, 2 bolt	1	E60031 + J1390
	Only the bearing	1	J0030
19	Clutch spacer, 5/8" long	2	E60041
20	Clutch spacer, 7/16" long	1	E60042
21	Mounting plate	1	E6005
22	Square-end shaft	1	E6006
23	Key, 1/4" x 1-1/2"	1	E9007
24	Key, 1/4" x 3/4"	1	G7508
25	1" flange bearing	1	J0003-SKF
26	Roller bearing 1-1/2", 3/8" bore	6	J0045
27	Bolt, 5/16 - 18 x 3/4"	3	J0520
28	Screw, 5/16 - 18 x 1"	2	J0527
29	Carriage bolt, 5/16 - 18 x 2-1/2"	3	J0589
30	Bolt, 3/8 - 16 x 1"	4	J0606
31	Bolt, 3/8 - 16 x 1-1/4"	2	J0616
32	Bolt, 3/8 - 16 x 1-1/4", zinc plated	1	J06161
33	Stud bolt, 7/16 - 14 x 2-3/4"	4	J07211
34	Bolt, 1-1/2 x 1/2"	3	J0730
35	Hex nut, 5/16" - 18	8	J1002
36	Flat nut, 5/16" - 18	1	J1009
37	Lock nut, 3/8" - 16	7	J1025
38	Hex nut, 7/16" - 14	2	J1035
39	Flat washer, 5/16"	2	J1111
40	Flat washer, 3/8"	7	J1117
41	Washer, 2-1/2" OD, 3/8" ID, 14ga	1	J1140
42	Split lock washer, 5/16"	8	J1200
43	Split lock washer, 3/8"	5	J1205
44	Split lock washer, 7/16"	2	J1210
45	Machine bushing, 1", 18ga	2	J1266
46	Allen-head setscrew, 1/2 x 1-1/4"	2	J1390
47	Sprocket, 50B15H, 1" bore w/ keyway	1	J1665/J1665
48	Chain connector link, #50	1	204711050100

Center Sump

8" XL CENTER SUMP

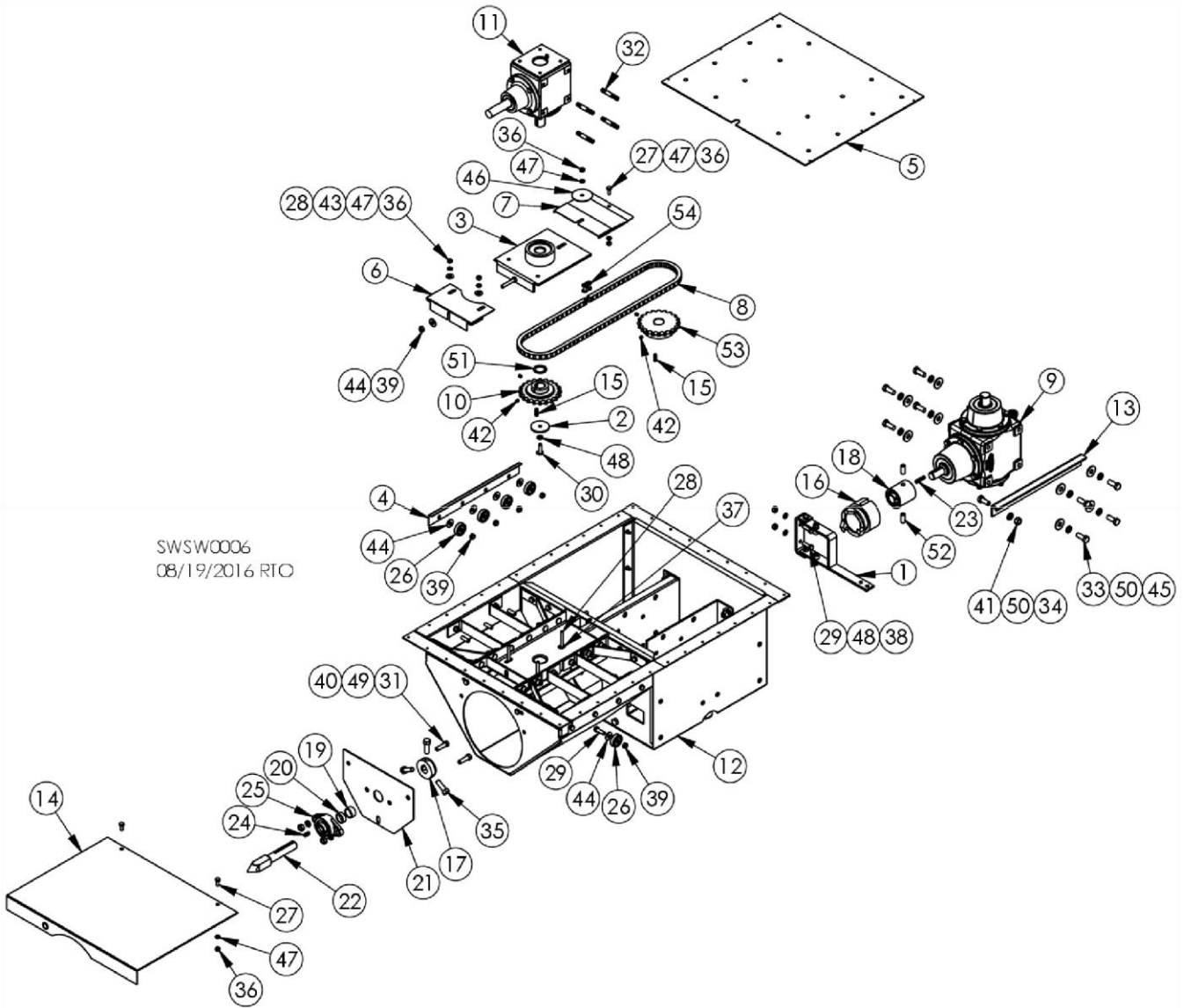


Center Sump

REF.#	DESCRIPTION	QTY	COMP.#
1	Clutch shifter arm assembly	1	E53132
2	Spacer washer, 3/8" ID, 2-1/4" OD	1	E5324
3	Weld support plate w/ snap ring, 10"	1	E5339
4	Side gate rail	2	E5350-14
5	Sump cover	1	E5354
6	Gearbox support cover	1	E5357
7	Top gearbox	1	E5374
8	Center sump shell	1	E5376
9	Lower gearbox	1	E5378
10	Mounting plate	1	E5387
11	Gearbox support angle brace	1	E53874
12	Chain cover	1	E53875
13	#50 chain, 75 links	1	E53876
14	Lower gearbox spacer bar	4	E53877
15	Slide gate	1	E5477
16	Sprocket, 50B18, 1" bore	1	E5837
17	Key, 1/4 sq. x 1"	2	E5915
18	Three-tooth engaging clutch	1	E60011
19	3-bolt clutch base	1	E6002-01
20	Clutch base w/ set & pilot bearing, 2 bolt	1	E60031/ J1390
	Only the bearing	1	J0030
21	Clutch spacer, 5/8" long	1	E60041
22	Clutch spacer, 7/16" long	1	E60042
23	Square-end shaft	1	E6006
24	Key, 1/4 x 1-1/2"	1	E9007
25	Key, 1/4" x 3/4"	1	G7508
26	1" flange bearing	1	J00031-SKF
27	Roller bearing 1-1/2", 3/8" bore	10	J0045
28	Bolt, 5/16 - 18 x 3/4" 3	3	J0520
29	Carriage bolt, 5/16 - 18 x 2-1/2"	3	J0589
30	Bolt, 3/8 - 16 x 1-1/4"	4	J0616
31	Bolt, 3/8 - 16 x 1-1/4", zinc plated	1	J06161
32	Screw, 7/16 - 14 x 1-1/2"	10	J0710
33	Stud bolt, 7/16 - 14 x 2-3/4"	4	J07211
34	Screw, 1/2 - 13 x 1-1/4"	3	J0728
35	Bolt, 1-1/2 x 1/2"	3	J0730
36	Hex nut, 5/16" - 18	6	J1002
37	Flat nut, 5/16" - 18	1	J1009
38	Hex nut, 3/8" - 16	2	J1020
39	Lock nut, 3/8" - 16	11	J1025
40	Hex nut, 7/16" - 14	2	J1035
41	Hex nut, 1/2" - 13	3	J1040
42	Setscrew, 5/16" - 18	2	J1080
43	Flat washer, 5/16"	2	J1111
44	Flat washer, 3/8"	11	J1117
45	Flat washer, 7/16"	8	J1120
46	Washer, 2-1/2" OD, 3/8" ID, 14ga	1	J1140
47	Split lock washer, 5/16"	6	J1200
48	Split lock washer, 3/8"	3	J1205
49	Split lock washer, 7/16"	10	J1210
50	Lock washer, 1/2"	3	J1215
51	Machine bushing, 1", 18ga	2	J1266
52	Allen-head setscrew, 1/2 x 1-1/4"	2	J1390
53	Sprocket, 50B15H, 1" bore w/ keyway	1	J1665 + J1660
54	#50 chain connector link	1	204711050100

Center Sump

10" CENTER SUMP



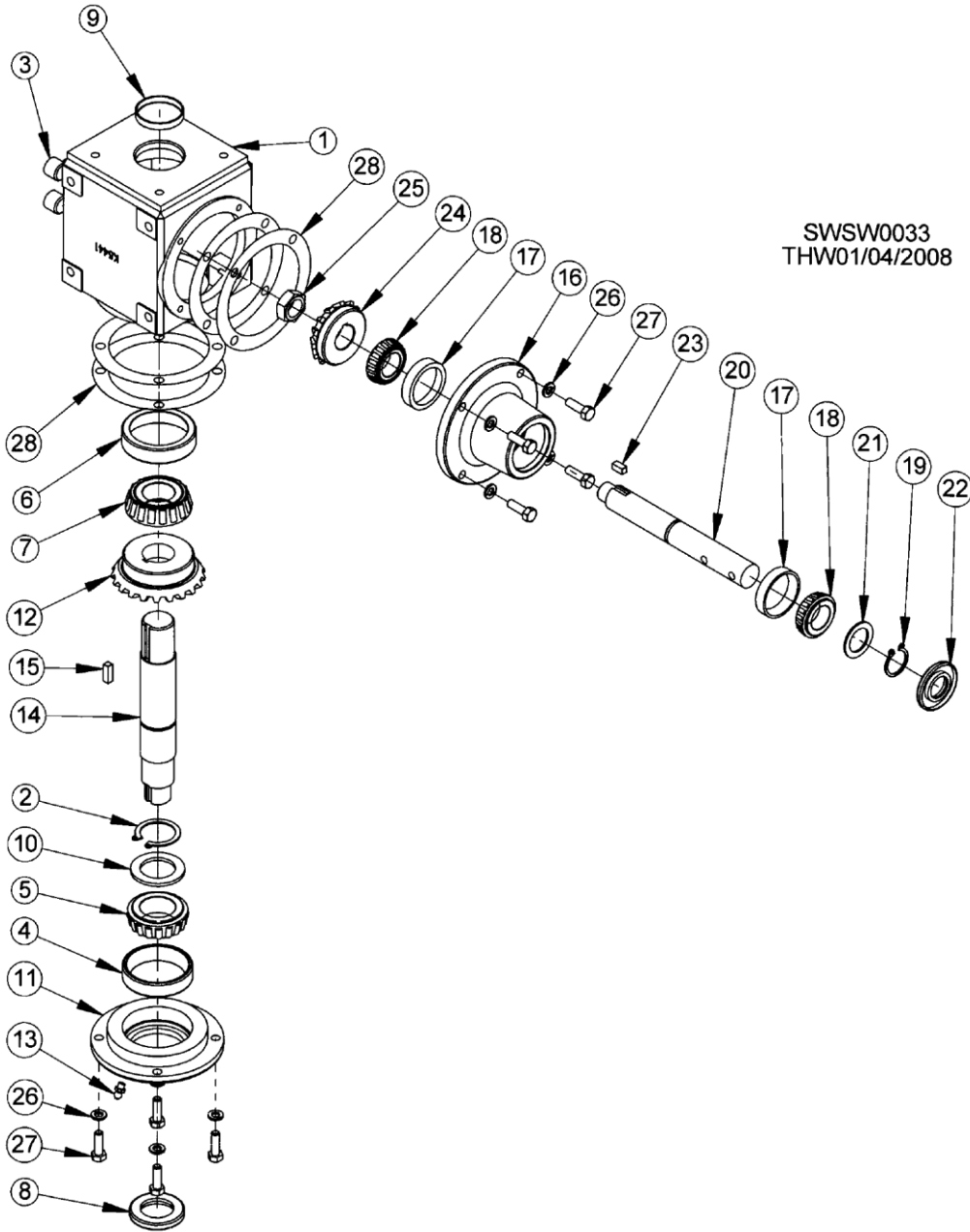
SWSW0006
08/19/2016 RTC

Center Sump

REF.#	DESCRIPTION	QTY	COMP.#
1	Clutch shifter arm assembly	1	E53132
2	Spacer washer, 3/8" ID, 2-1/4" OD	1	E5324
3	Weld support plate w/ snap ring, 10"	1	E5339
4	Side gate rail	2	E5350-14
5	Sump cover	1	E5354
6	Gearbox support cover	1	E5357
7	Chain cover	1	E5358
8	#60 chain, 73 links	1	E5359
9	Lower gearbox	1	E5360
10	Sprocket, 60B20, 1.1811" bore*	11	E5373*
11	Top gearbox	1	E5375
12	Center sump shell	1	E5377
13	Gearbox support angle brace	1	E53874
14	Slide gate	1	E5478
15	Key, 1/4 sq. x 1"	2	E5915
16	Three-tooth engaging clutch	1	E60011
17	3-bolt clutch base	1	E6002-01
18	Clutch base w/ set & pilot bearing, 2 bolt	1	E60031/ J1390
	Only the bearing	1	J0030
19	Clutch spacer, 5/8" long	1	E60041
20	Clutch spacer, 7/16" long	1	E60042
21	Mounting plate	1	E60051
22	Square-end shaft	1	E6018
23	Key, 1/4 x 1-1/2"	1	E9007
24	Key, 1/4" x 3/4"	1	G7508
25	1" flange bearing	1	J0003
26	Roller bearing 1-1/2", 3/8" bore	10	J0045
27	Bolt, 5/16 - 18 x 3/4"	3	J0520
28	Carriage bolt, 5/16 - 18 x 2-1/2"	3	J0589
29	Bolt, 3/8 - 16 x 1-1/4"	4	J0616
30	Bolt, 3/8 - 16 x 1-1/4", zinc plated	1	J06161
31	Screw, 7/16 - 14 x 1-1/2"	2	J0710
32	Stud bolt, 7/16 - 14 x 2-3/4"	4	J07211
33	Screw, 1/2 - 20 x 1-1/4"	8	J0724
34	Screw, 1/2 - 13 x 1-1/4"	1	J0728
35	Bolt, 1-1/2 x 1/2"	3	J0730
36	Hex nut, 5/16" - 18	6	J1002
37	Flat nut, 5/16" - 18	1	J1009
38	Hex nut, 3/8" - 16	2	J1020
39	Lock nut, 3/8" - 16	11	J1025
40	Hex nut, 7/16" - 14	2	J1035
41	Hex nut, 1/2" - 13	1	J1040
42	Setscrew, 5/16" - 18	4	J1080
43	Flat washer, 5/16"	2	J1111
44	Flat washer, 3/8"	11	J1117
45	Flat washer, 1/2"	8	J1125
46	Washer, 2-1/2" OD, 3/8" ID, 14ga	1	J1140
47	Split lock washer, 5/16"	6	J1200
48	Split lock washer, 3/8"	3	J1205
49	Split lock washer, 7/16"	2	J1210
50	Lock washer, 1/2"	9	J1215
51	Machine bushing, 30mm ID x 4mm OD	1	J1268
52	Allen-head setscrew, 1/2 x 1-1/4"	2	J1390
53	Sprocket, 60B20, 1-1/4" bore	1	J1695
54	#60 chain connector link	1	204711060100

Center Sump

6" & 8" TOP GEARBOX



SWSW0033
THW01/04/2008

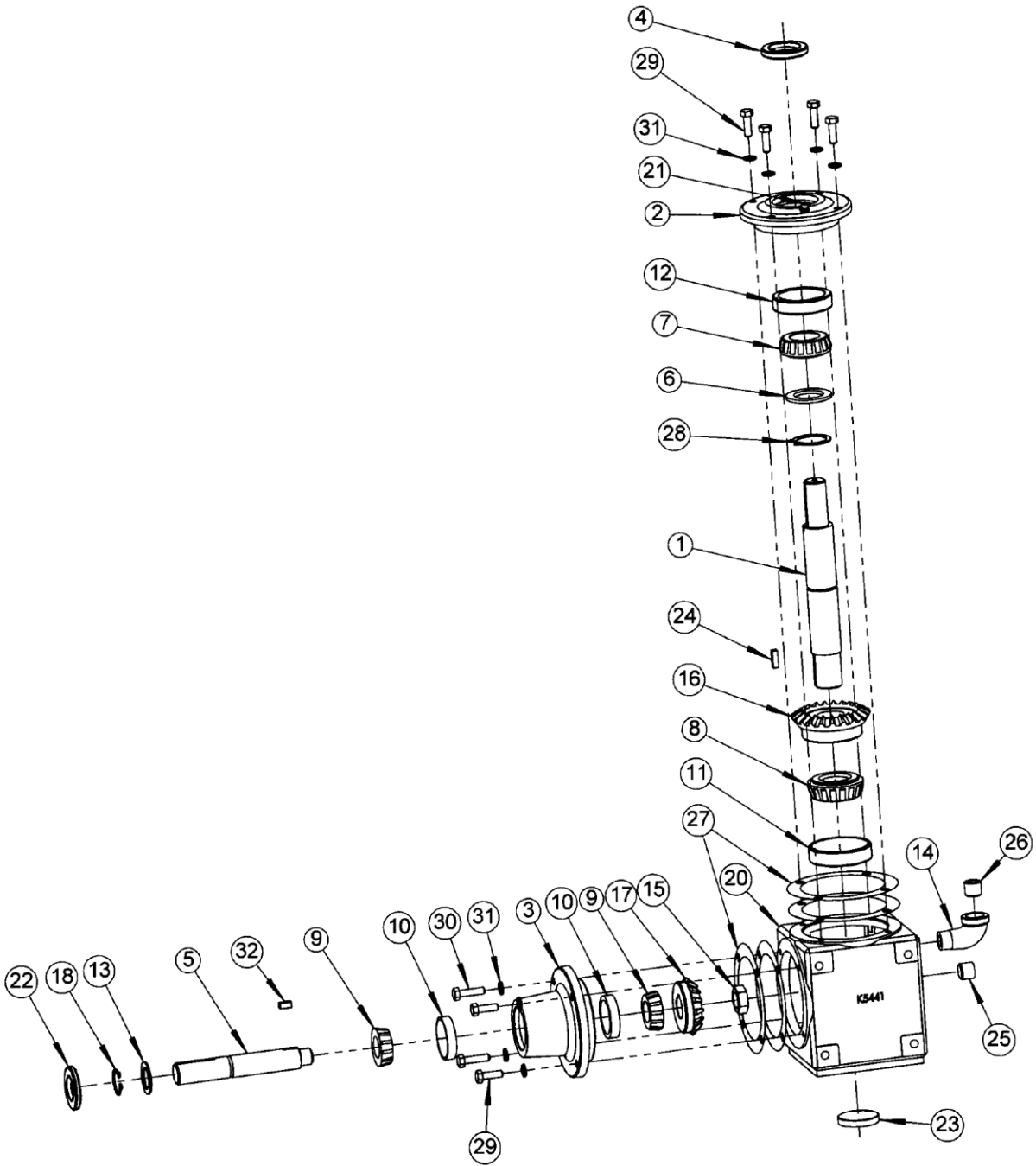
Center Sump

REF.#	DESCRIPTION	QTY	COMP.#
	Complete gearbox, sump, top 6", 8" (prior to 2011)		E5325
	Complete gearbox, sump, top 8" 2011 XL		E5374
1	Gearbox case, two hole	1	F9004
2	Snap ring, 1.37, 5160-137	1	J3589
3	Plug, sunk head, 1/2" hex center	2	J2615
4	Cup, 2-23/32" OD, 14276	1	J0115
5	Tapered bearing, 14137A, Timken, 1-3/8"	1	J0120
6	Bearing cup, Timken, 02820	1	J0125
7	Tapered bearing, 1-1/4", .94, 02875	1	J0130
8	Seal, 1-3/8 x 2.129, R/C, 13650	1	J7010
9	Soft plug, 1-7/8", PC	1	J6980
10	Machine bushing, 1-3/8", 10ga, N rim	1	J1275
11	Open end plate w/ grease zerk cup & SI	1	E59021
12	Gear, 21-tooth w/ 1-1/4" bore	1	F4742
13	Drive-in grease zerk, 1/4"	1	J3605
14	Shaft, 8-3/8 x 1-3/8" w/ keyway, 6", 8" (prior to 2011)	1	E5901-DC-1
	Shaft, 8.601, 1-3/8" w/ keyway, 8", 2011 XL	1	E5908-DC
15	Square key, 1/4" x 13/16"	1	J3619
16	Gear box hub	1	F9007
17	Bearing cup, L-44610	2	J0105
18	Tapered bearing, 14137A, Timken, 1-3/8"	2	J0111
19	Snap ring, 1.00, 329, Eaton	1	J3584
20	Upper gearbox connector shaft, 1 x 8"	1	E5903
21	Machine bushing, 1", 1ga, N rim	1	J1265
22	Seal, 1.000 x 2.004, R/C, 10124	1	J6993
23	Square key, 1/4 x 9/16"	1	J3618
24	Small gear, (14 teeth)	1	F4740
25	Thin nylon lock nut, 3/4" - 16, PLT	1	J1055
26	Split lock washer, 5/16", PLT	8	J1200
27	Screw, 5/16 - 18 X 1", PLT, GR5	8	J0527
28	Shim, 3.88 x 5.12 x 0.003	As needed	J7090
	Shim, 3.88 x 5.12 x 0.010	As needed	J70901

Center Sump

6" & 8" LOWER GEARBOX

SWSW0002
THW01/07/2007

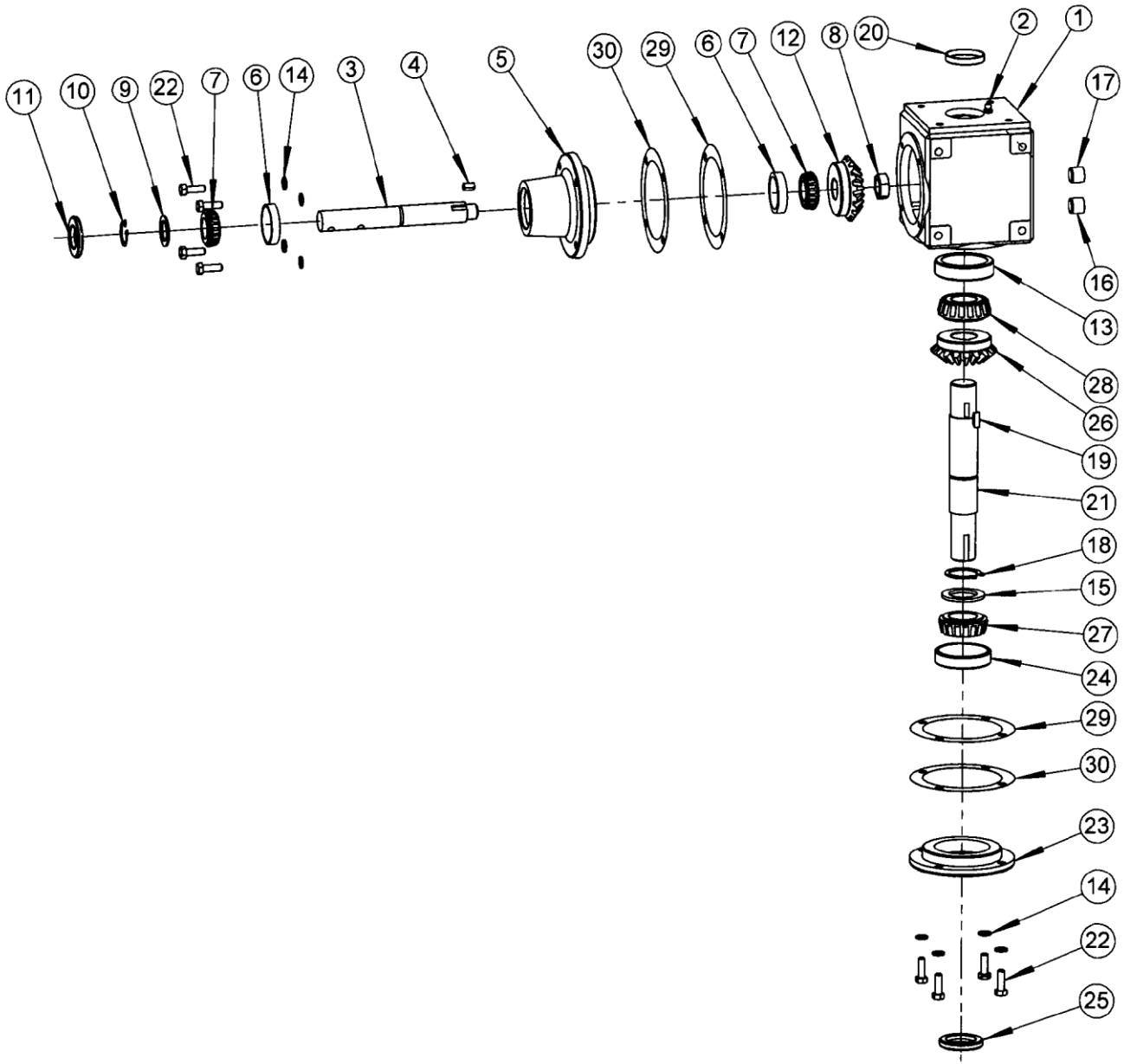


Center Sump

REF. #	DESCRIPTION	QTY.	COMP. #
	Complete gearbox, lower sump, 6", 8" (prior to 2011)		E5320
	Complete gearbox, lower sump, 8", 2011 XL		E5378
1	Shaft, 1-3/8" main, lower sump, 6", 8" (prior to 2011)	1	E5900
	Shaft, 10-7/16", 13/8" w/ keyway, 8", 2011 XL	1	E5927
2	Open end plate w/ grease zerk & cup	1	E59021
3	Lower hub, 6" & 8" complete	1	F3015
	Hub only		F3007
4	Seal, 1-3/8"	1	J7010
5	1" keyway shaft x 6-1/2", lower	1	f4738
6	Machine bushing, 1-3/8", 10ga	1	J1275
7	Bearing, 14137A	1	J0120
8	Bearing, 02875	1	J0130
9	Bearing, L44643	2	J0110
10	Bearing cup, L44610	2	J0105
11	Bearing cup, 02820	1	J0125
12	Bearing cup, 14276	1	J0115
13	Machine bushing, 1", 14ga	1	J1265
14	Street elbow, 1/2 x 90°, upper sump	1	J2520
15	Lock nut, 3/4" - 16 thin nylon	1	J1055
16	Gear, 21 teeth 1-1/4" bore	1	F4742
17	Gear, 14 teeth	1	F4740
18	Snap ring, 1"	1	J3584
20	Gearbox case, complete w/ grease zerk	1	F90041
	Gearbox case only		F9004
21	Grease zerk 1	1	J3605
22	1" seal 1	1	J6993
23	Soft plug, 1-7/8" 1	1	J6980
24	Square key, 1/4 x 13/16"	2	J3619
25	Black plug, 1/2"	1	J2615
26	1/2" center sunk head vented plug	1	J2616
27	Plastic shims, .003 thick As needed	As needed	J7090
	Plastic shims, .010 thick As needed	As needed	J70901
28	Snap ring, 1-3/8"	1	J3589
29	Screw, 5/16 - 18 x 1", GR5 (Not shown)	6	J0527
30	Screw, 5/16 - 18 x 1-1/4", GR5 (Not shown)	2	J0550
31	Lock washer, 5/16 (Not shown)	8	J1200
32	Square key, 1/4 x 9/16"	1	J3618

Center Sump

10" TOP GEARBOX



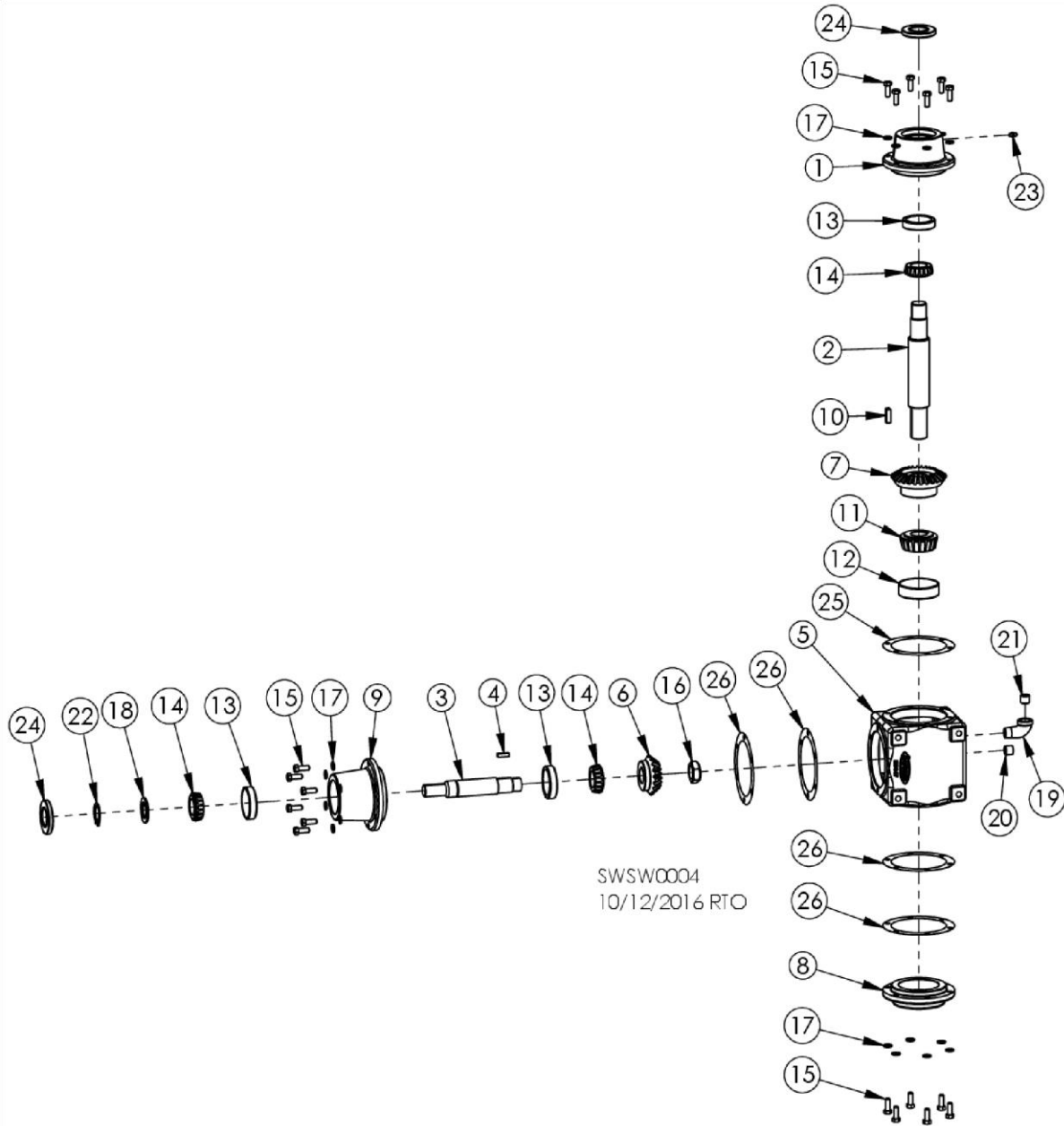
SWSW0050
THW01/04/2008

Center Sump

REF. #	DESCRIPTION	QTY.	COMP. #
	Complete Gear		E5375
1	Gearbox casting	1	F9004
2	Drive-in grease zerk, 1/4"	1	J3605
3	Upper gearbox connection shaft, 1 x 8"	1	E5903
4	Square key, 1/4 x 9/16"	1	J3618
5	Standard hub w/cup (J0105)	1	F9007
6	Bearing cup, L-44610	2	J0105
7	Tapered bearing, 14137A, Timken, 1-3/8"	2	J0111
8	Thin nylon lock nut, 3/4" -16, PLT	1	J1055
9	Machine bushing, 1" x 14ga, N-rim 1	1	J1265
10	Snap ring, 1.00, 329, Eaton	1	J3584
11	Seal, 1.000 x 2.004, R/C,	1	J6993
12	Bevel gear, 1" bore, 18 teeth	1	S6051
13	Bearing cup, Timken, 02820	1	J0125
14	Split lock washer, 5/16", PLT	8	J1200
15	Machine bushing, 1-3/8" x 10ga, N-rim	1	J1275
16	1/2" center sunk hex head plug	1	J2615
17	1/2" center sunk head vented plug	1	J2616
18	Snap ring, 1.37, 5160 - 137	1	J3589
19	Square key, 1/4" x 13/16"	1	J3619
20	Soft plug, 1-7/8", PC	1	J6980
21	Shaft, 8-3/4", w/ keyway	1	E5379-DC
22	Screw, 5/16 – 18 x 1", PLT, GR5	8	J0527
23	Open end plate	1	E5902
24	Cup, 2-23/32" OD 14276	1	J0115
25	Seal, 1.375 x 2.129, R/C,	1	J7010
26	Bevel gear, 1-1/4" bore, 18 teeth	1	E5372
27	Tapered brng, 14137 A, Timken, 1-3/8"	1	J0120
28	Tapered bearing, 1-1/4", .94,	1	J0130
29	Shim, 3.88 x 5.12 x 0.003 As needed J7090	As needed	J7090
30	Shim, 3.88 x 5.12 x 0.010 As needed J70901	As needed	J70901

Center Sump

10" LOWER GEARBOX

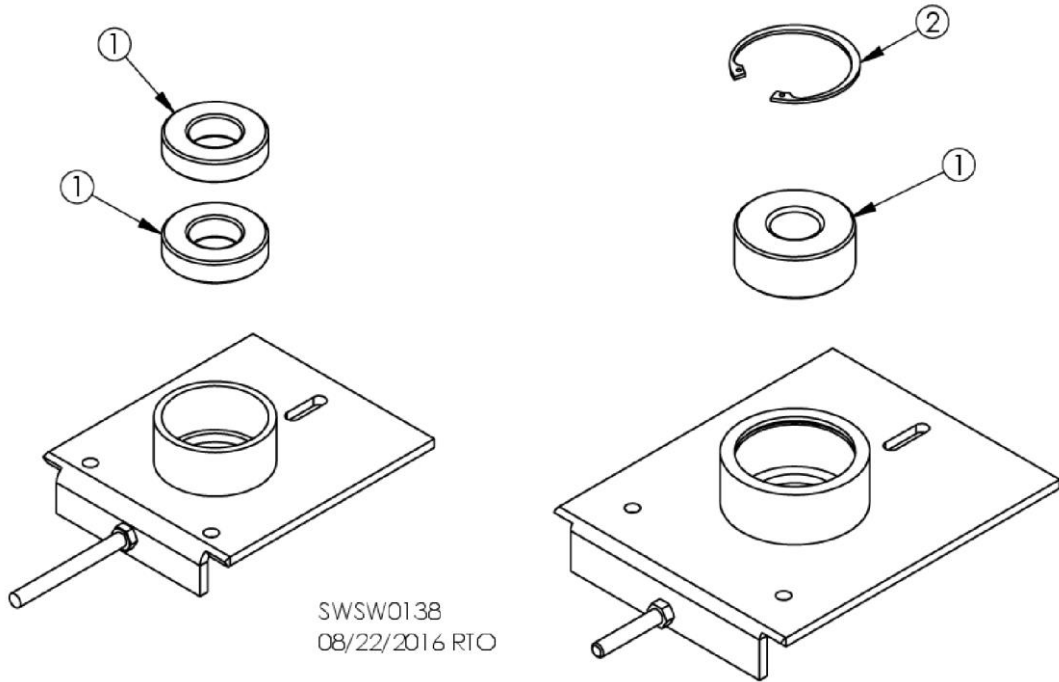


Center Sump

REF. #	DESCRIPTION	QTY.	COMP. #
	Complete Gear		E5360
1	Hub casting, HD, 1-3/8", 10", 1998 1 E5365	1	E5365
2	Gearbox shaft, 10" 1 E5366	1	E5366
3	Shaft, 8-5/16" 1 E5367	1	E5367
4	Key, 1/4" sq. x 1" 1 E5915	1	E5915
5	Bottom gearbox casting, HD, 3 hole 1 F9051	1	F9051
6	Bevel gear, 18 tooth, 1-1/4" bore 1 F9052	1	F9052
7	Gear, 27-tooth, 1-3/8" bore 1 F9053	1	F9053
8	Closed end plate 1 F9061-01	1	F9061-01
9	Gearbox hub, 1-3/8" 1 F9065-01	1	F9065-01
10	Key, 3/8 x 1-1/4" 1 G5315	1	G5315
11	Bearing, 1-3/8" ID, 3872, Timken 1 J0027	1	J0027
12	Cup, 3-3/8" OD, 3820, 3821, Timken 1 J0028	1	J0028
13	Cup, 2-23/32" OD, 14276 3 J0115	3	J0115
14	Tapered bearing, 14137A, Timken, 1-3/8" 3 J0120	3	J0120
15	Screw, 3/8 - 24 x 1", PLT, GR5 18 J0612	18	J0612
16	Thin nylon lock nut, 1-1/8" - 12, PLT 1 J1067	1	J1067
17	Split lock washer, 3/8" 18 J1205	1	J1205
18	Machine bushing, 1-3/8 x 10ga, N-rim 1 J1275	2	J1275
19	Street elbow, 1/2", 90°, Sch 40 1 J2520	1	J2520
20	1/2" center sunk hex head plug 2 J2615	1	J2615
21	1/2" center sunk head vented plug 1 J2616	1	J2616
22	Snap ring, 1.37, 5160-137 1 J3589	1	J3589
23	Drive-in grease zerk, 1/4" 1 J3605	1	J3605
24	Seal, 1.38 ID, N, 472658 2 J7061	2	J7061
25	Shim, 4.625 x 6.010 x 0.003 1 J7085	1	J7085
26	Shim, 4.625 x 6.010 x .010 4 J7088	4	J7088

Center Sump

TOP GEARBOX BEARING SUPPORT SLIDE PLATE

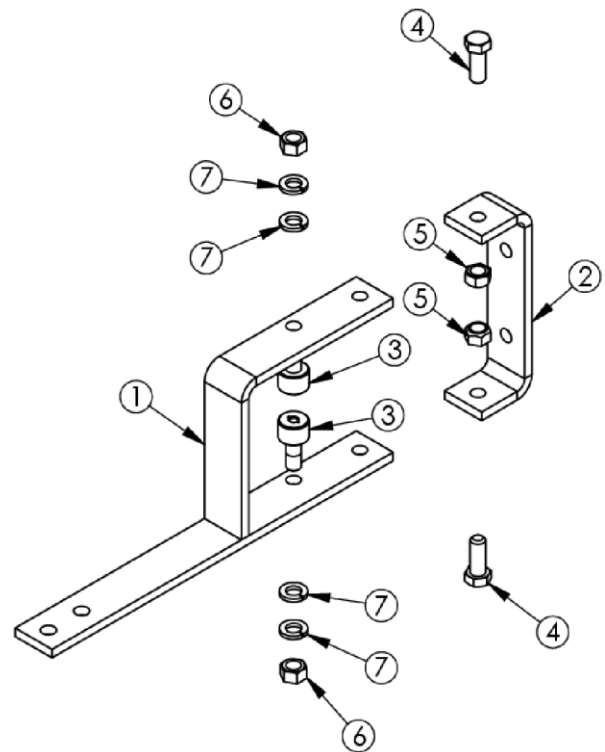
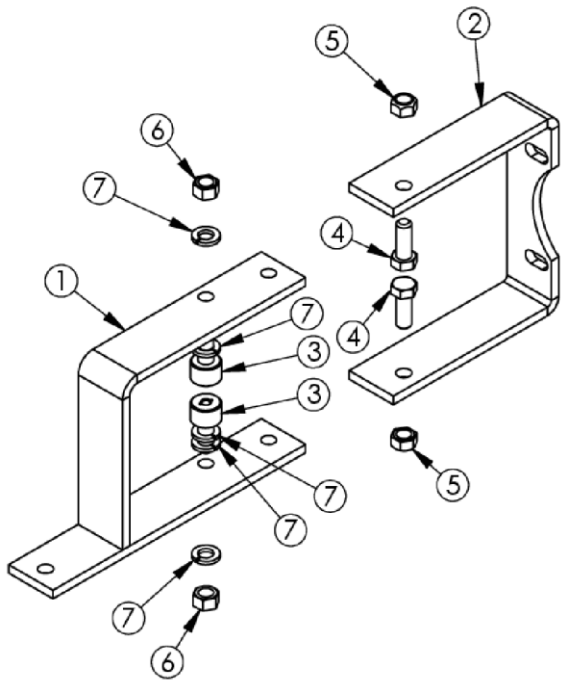


REF. #	DESCRIPTION	QTY.	6" - 8"*	8" & 10" XL
1	Bearing, 1-1/4" ID, 2-1/2" OD	2	J0060F	NA
	Bearing, 1.1811 ID, 2.8346 OD	1	NA	J00599
2	Snap ring, 2.047"	1	NA	J35991

* Also 8" prior to 2011

Center Sump

CLUTCH SHIFTER ARM



SWSW0137
08/22/2016 RTO

REF. #	DESCRIPTION	QTY.	6" - 8"*	8" & 10" XL
1	1 Clutch arm weldment	1	E53131	NA
			NA	E5351
2	2 Clutch shifter support bracket	1	E5311	NA
			NA	E5352
3	3 Bearing, 3/4", cam follower	2	J0035	J0035
4	4 Screw, 3/8 -16 x 1"	2	J0606	J0606
5	5 Lock nut, 3/8" - 16	2	J1025	J1025
6	6 Hex nut, 3/8" - 24	24	J1030	J1030
7	7 Split lock washer, 3/8"	4	J1205	J1205

* Also 8" prior to 2011