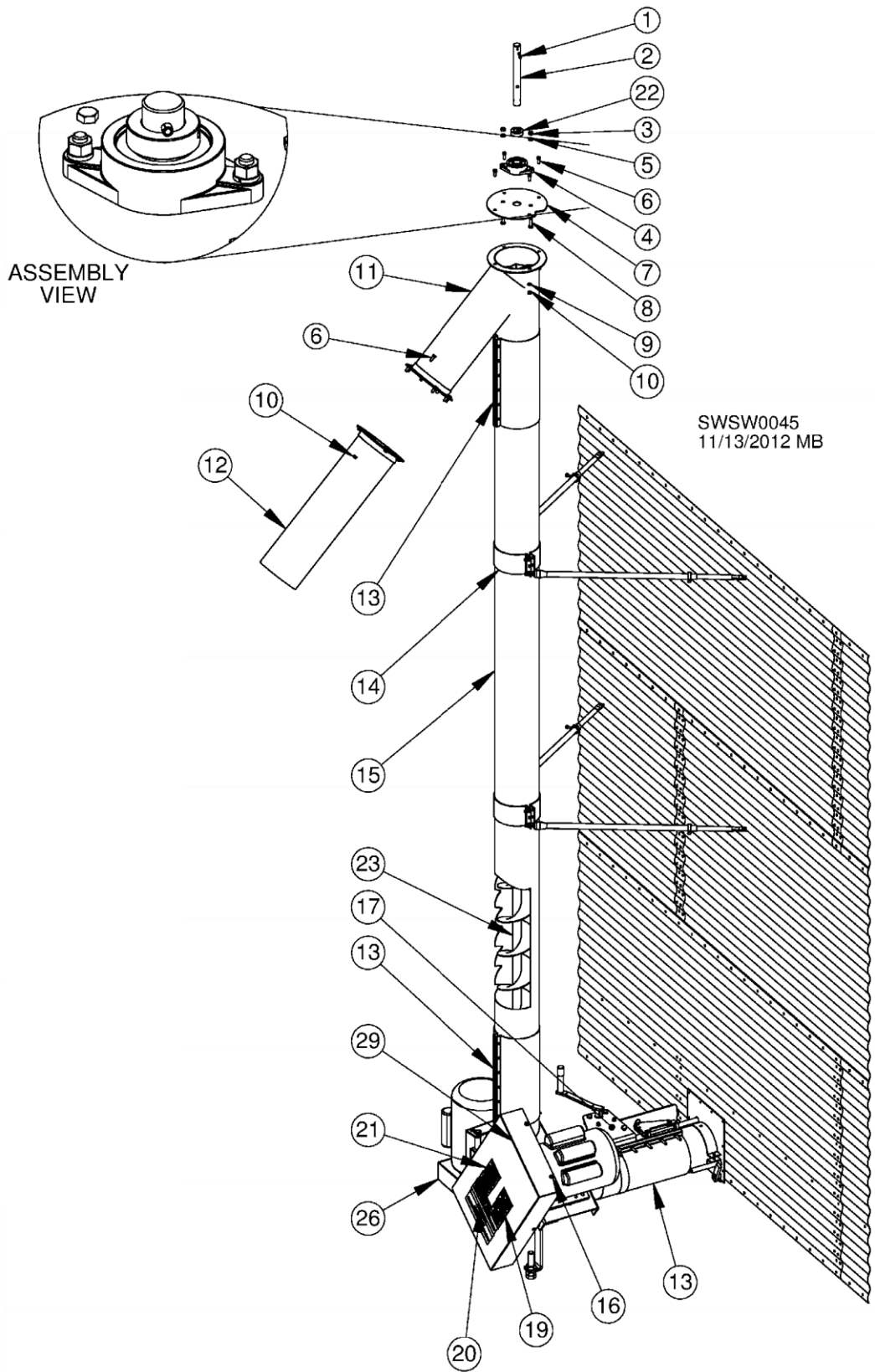


Drivstation



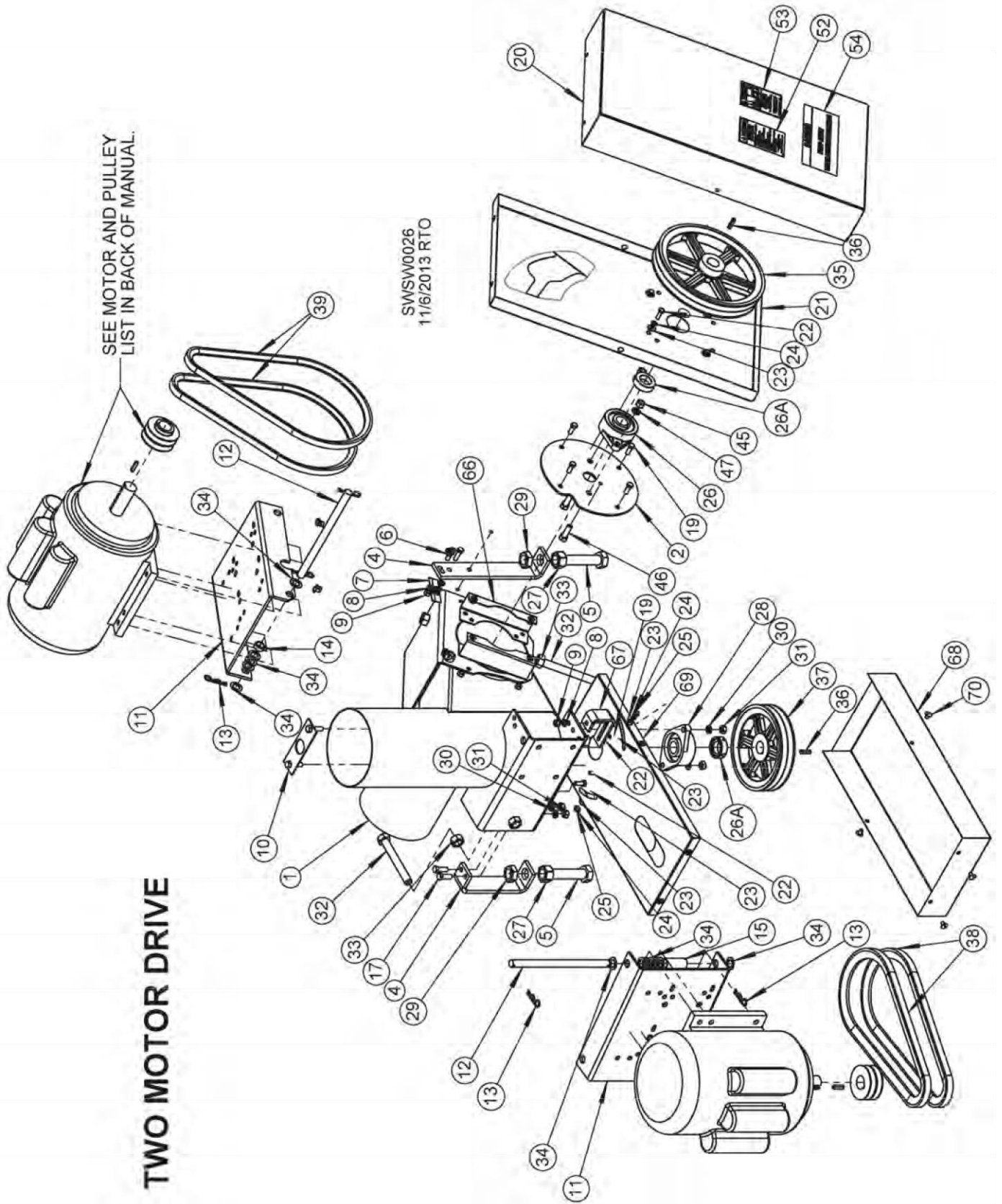
Mimersvej 5 · DK-8722 Hedensted
Tel +45 75 68 53 11 Fax +45 75 68 54 70
www.sukup-eu.com

BASIC VERTICAL AUGER



Drivstation

Ref#	Description	Qty	6"	8"	10"
1	Rollpin, 5/16" x 1-3/4"		J1495	J1495	J1495
2	Top shaft		E58091	E97711	E58243
3	Hex nut, 7/16" -14, PLT		J1035		
	Hex nut, 1/2" - 13, PLT			J1040	J1040
4	1" flange bearing w/ lock collar		J00031-SKF		
	1-1/4" flange bearing, w/ lock collar		J0010-SKF	J0010-SKF	J0010-SKF
5	Split lock washer, 7/16", PLT		J1210	J1210	
	Split lock washer, 1/2", PLT				J1215
6	Bolt, 3/8 - 16 x 1", GR 5, PLT		J0606	J0606	
	Bolt, 7/16" - 14 x 1", GR5, PLT				J0695
7	7 Bearing end plate		E5676	E5776	E5659
8	Bolt, 7/16 - 14 x 1.25" GR5, PLT		J0700		
	Bolt, 1/2 - 13 x 1.5", GR5, PLT			J0730	J0730
9	Split lock washer, 3/8", PLT		J1205	J1205	
	Split lock washer, 7/16", PLT				J1210
10	Hex nut, 3/8" - 16, PLT		J1020	J1020	
	Hex nut, 7/16" - 14, PLT				J1035
11	Top outlet spout		E5812B	E5813B	E5785B
12	2-1/2' truck spout		E5814	E5815	E5787
13	Connector sleeve		E5423	E5424	E5425
14	30" support bracket (bipod)		E5800	E5801	E5786
15	12' galvanized auger tube		K2939	K3009	E57843
16	Screw, 5/16 - 18 x 1/2", PLT		J0519	J0519	J0519
17	Rack & pinion opener 1			E5919	E5969
18	Hex nut, 5/16" - 18, PLT (Not shown)		J1002	J1002	J1002
19	Decal, Keep Away from Moving Parts		L0284	L0284	L0284
20	Decal, Do Not Enter Bin, Keep clear of augers		L0258A	L0258A	L0258A
21	Decal, Safe Operation		L0281	L0281	L0281
22	Locking collar, 1"		Included the bearing		
	Locking collar, 1-1/4"		Included the bearing		
23	16' vertical auger w/ flinger & shafts		102E5848G	102E57837	102E5851
24	Bottom shaft, w/ keyway (Not shown)		E58081	E9751	E9752
25	Decal, Shield Missing (Not shown)		L0271	L0271	L0271
26	Outer vertical shield		E5977	E5977	E5977
27	Inner vertical shield (Not shown)		E5976	E5976	E5976
28	Vertical shield bracket (Not shown)		E5978	E5978	E5978
29	Outer horizontal shield		E5973	E5973	E5973
30	Inner horizontal shield (Not shown)		E5972	E5972	E5972
21	Horizontal shield bracket (Not shown)		E9316	E5916	E5974
32	Screw, 5/16 - 18 x 1", PLT, GR5 (Not shown)		J0527	J0527	J0527
33	Split lock washer, 5/16", PLT (Not shown)		J1200	J1200	J1200
34	Flat washer, 5/16", PLT, (Not shown)		J1111	J1111	J1111



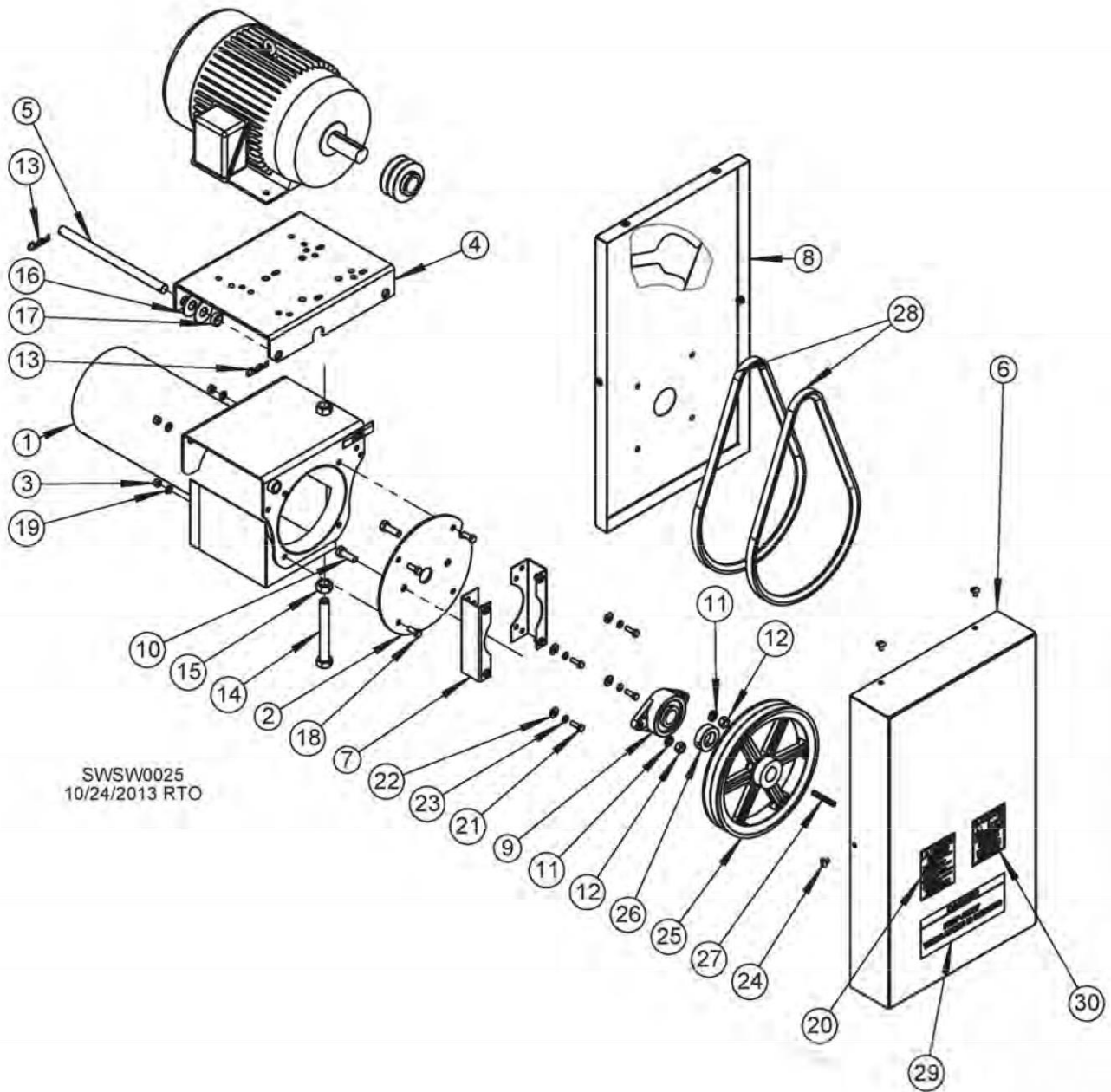
Drivstation

Ref. #	Description	6"	8"	10"
1	Vertical boot housing	E5767B	E5768B	E5769B
2	Bearing plate	E5676	E5776	E5659
3	Sliding door (not shown)	E5771	E5771	E5771
4	Bolt-on leg bracket (front)	E5869	E5869	E5869
	Bolt-on leg bracket (front) +6, Euro	E5879	E5879	E5879
	Bolt-on leg bracket (back)	E5868	E5868	E5868
	Bolt-on leg bracket (back) +6, Euro	E5878	E5878	E5878
	Adjustable leveling foot	F4564	F4564	F4564
6	Bolt, 3/8-16 x 1 1/4" PLT, GR5	J0616	J0616	J0616
7	Flat Washer, 3/8" PLT	J1205	J1205	J1205
8	Split lock Washer, 3/8", PLT	J1205	J1205	J1205
9	Nut, 3/8" - 16, PLT	J1020	J1020	J1020
10	Bearing holder	E5840	E5731	E5731
11	Hinged motor mount plate, small	E5746	E5746	E5746
	Hinged motor mount plate, 3 belt drive			E5765
	Pivot rod, Small	E5744	E5744	E5744
	Pivot rod, 3 belt drive		E57441	E57441
13	Hairpin Clip	J5412	J5412	J5412
14	Spacer, small, 3/8" long	E5739	E5739	E5739
15	Spacer, large 2 5/8" long	E5740	E5740	E5740
16	Shield bracket	E5870	E5870	E5870
17	Screw, 7/16 - 14 x 1 1/4, PLT	J0700	J0700	J0700
	Vertical shield bracket (Not shown)	E5571	E5571	E5571
19	Bolt, 3/8 - 16 x 1" PLT, GR5	J0606	J0606	J0606
20	Outer shield, horizontal	E5973	E5973	E5973
21	Inner shield, horizontal	E5972	E5972	E5972
22	Bolt, 3/8 - 18 x 1" PLT	J0527	J0527	J0527
	Flat Washer, 5/16, PLT	J1111	J1111	J1111
24	Split lock Wwasher, 5/16, PLT	J1200	J1200	J1200
25	Nut, 5/16" - 18, PLT	J1002	J1002	J1002
26	Flange bearing, 1", w/lock collar	J00031-SKF		
	Flange bearing, 1 1/4", w/lock collar	J0010-SKF	J0010-SKF	J0010-SKF
27	Hex nut 1" - 8, PLT	J1060	J1060	J1060
28	Flange bearing, 1", w/ LC for 2 bolt	J00031-SKF		
	Flange bearing, 1 1/4, w/ LC for 2 bolt	J0010-SKF	J0010SKF	J0010-SKF
29	Jam nut, 1" - 8	J1063	J1063	J1063
30	Split lock washer, 7/16", PLT	J1210	J1210	J1210
31	Nut, 7/16" - 14 PLT	J1035	J1035	J1035
32	Bolt, 3/4 - 10 x 6", PLT, GR5	J0824	J0824	J0824
33	Nut, 3/4 - 10, PLT, GR5	J1051	J1051	J1051
	Flat washer, 3/4", PLT	J1130	J1130	J1130
35	Pulley, 12" OD x 1 1/4" B, bouble grv.		J0385	J0385
	Pulley, 12" OD x 1 1/4" B, 3-belt drive		J03865-1	J03865-1
	* Use J0410 bushing with J03865 pulley			
36	Key, 1/4 x 1 1/4	G7499	G7499	
	Key 1/4 x 2 3/4, 3 belt drive			E5721

Drivstation

37	Pulley, 9" OD x 1", double groove	J0365/ J0365-1DK		
	Pulley, 9" OD x 1 1/4", double groove		J0366 /J0366-1DK	J0366/J0366-1DK
38	Belt, BX42	3103BX42OPTI	3103BX42OPTI	
	Belt, BX46			3103BX46OPTI
39	Belt, BX48 - BX50	3103BX48OPTI	3103BX48OPTI	3103BX50OPTI
	Belt, BX52 - BX54, 3-belt drive		3103BX50OPTI	3103BX54OPTI
40	Nut, 5/16" - 18	J1009	J1009	
41	Carriage bolt, 5/16 - 18 x 1"	J0535	J0535	
42	Split lock Washer, 1/2", PLT	J1215	J1215	
43	Machine bushing, 1/2", 18 ga	J1250	J1250	
44	Nut, 1/2" - 13 PLT	J1040	J1040	
45	Nut, 1/2" - 13 PLT	J1040	J1040	J1040
	Nut, 7/16 - 14 PLT	J1035		
46	Bolt 1/2 - 13 x 1 1/2, PLT GR5		J0730	J0730
	Bolt 7/16" - 14 x 1 - 1/2", PLT, GR5	J0710		
47	Split lock Washer, 1/2", PLT		J1215	J1215
	Split lock washer, 7/16", PLT	J1210		
48	Bolt, 1/2 - 13 x 2", PLT, GR5	J0737	J0737	
49	Flat washer, 1/2", PLT	J1125	J1125	
50	Bolt, 7/16 - 14 x 1" PLT	J0695	J0695	
51	Shield bracket, 11-3/4"	E9786	E9786	
52	Decal, Safe Operation	L0281	L0281	L0281
53	Decal, Keep Away From moving Parts	L0284	L0284	L0284
54	Decal, Do not Enter Bin, Avoid Augers	L0258A	L0258A	L0258A
55	Key, 1 1/4 x 2 3/4	E5721	E5721	
56	Sprocket, 50B15, 1" bore	J1665	J1665	
	Sprocket, 60B15, 1" bore	J1694	J1694	
	Sprocket, 60B15, 1 1/4" bore		J16941	
57	Gearbox	E5822	E5822	
58	Gearbox shield	E5576	E5576	
59	Chain, #50, 71 links		E58311	
	Chain, #50, 65 links	E5832		
	Chain, #60, 55 links	G90460		
	Chain, #60, 61 links		E58310	
60	Chain, #50, 43 links	F4492	F4492	
61	Idler bracket - (Single motor)	E5779	E5779	
62	Sprocket, 50B15, 1 1/4" bore		J1664	
	Sprocket, 50B15, 1" bore	J1665		
63	Large shield, horizontal	E5826	E5826	
64	Sprocket idler, 50-13	J1685	J1685	
	Sprocket idler, 60-13	J1687	J1687	
65	Idler bracket	E5742	E5742	
66	Shield bracket, horizontal drive	E9316	E9316	E5974
67	Shield bracket, vertical drive	E5978	E5978	E5978
68	Outer shield, vertical	E5977	E5977	E5977
69	Inner shield, vertical	E5976	E5976	E5976
70	Screw, 5/16 - 18 x 1/2", PLT	J0519	J0519	J0519

HORIZONTAL POWERHEAD MOTOR DRIVE



SWSW0025
10/24/2013 RTO

Drivstation

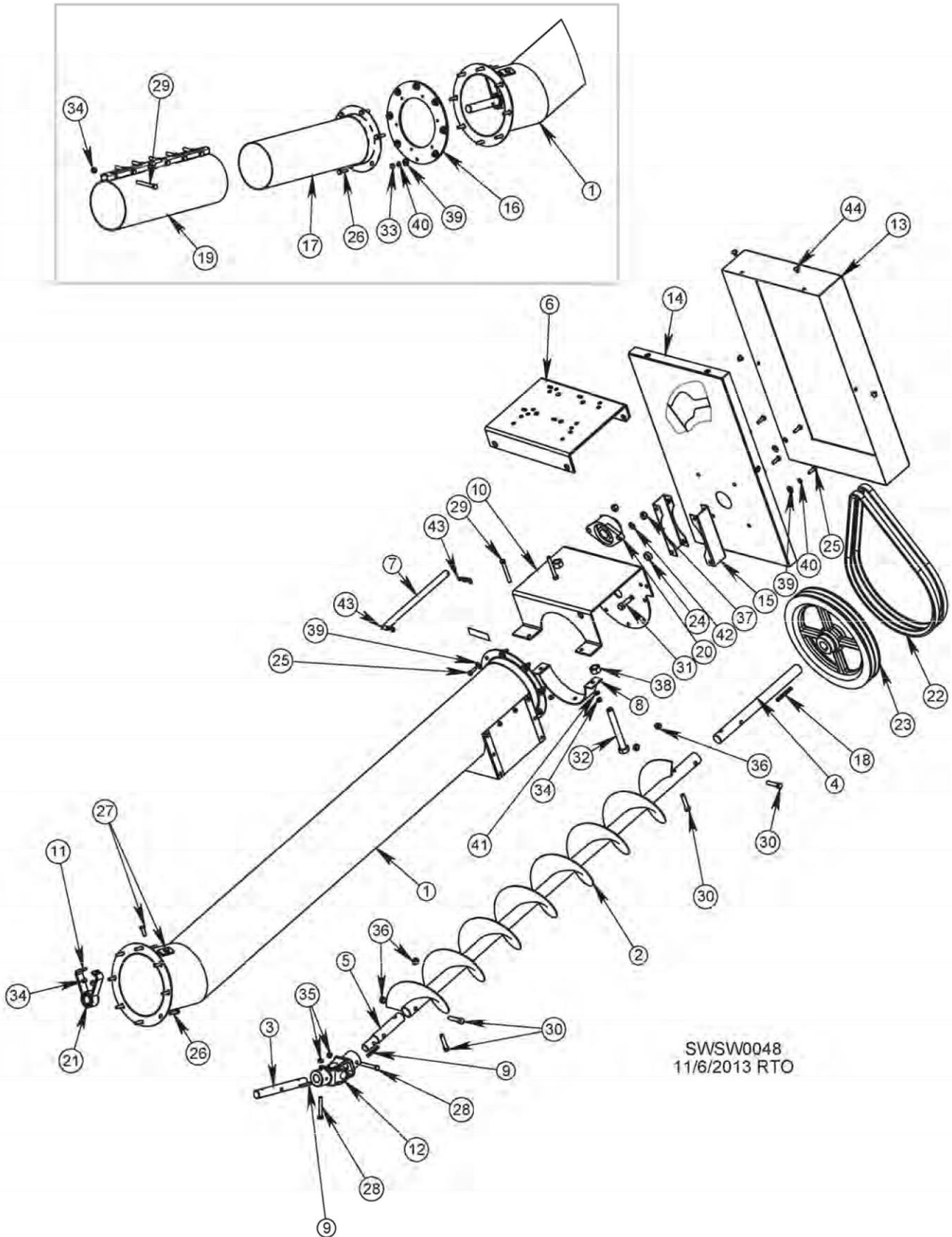
Ref#	Description	Qty	6"	8"	10"
	Complete Powerhead	1	3112E55902	3112E55913	3112E55922
1	STD powerhead housing	1	E5567	E5601	E5569
2	6" bearing plate 1	1	E5676		
	8" bearing plate	1		E5776	
	10" bearing plate	1			E5659
3	Nut, 3/8 – 16, PLT 8-12	8-12	J1020	J1020	J1020
4	Hinged motor mount, small	1	E5746	E5746	E5746
	Hinged motor mount, large 1	1		E5765	E5765
5	Small pivot rod	1	E5744	E5744	E5744
	Large pivot rod 1	1		E57441	E57441
6	6 Outer shield	2	E5973	E5973	E5973
7	7 Shield bracket	1	E9316	E9316	E5974
8	8 Inner shield	2	E5972	E5972	E5972
9	1" flange bearing w/ locking collar	2	J00031-SKF		
	1-1/4" flange bearing w/ locking collar	1		J0010-SKF	J0010-SKF
	Bearing spacer (Not shown)	2	E5791	E5792	E5792
10	Bearing bolt w/ tab	2	E5570		
	Bolt, 1/2 - 13 x 1-1/2", PLT	2		J0730	J0730
11	Split lock washer, 7/16", PLT	2	J1210		
	Split lock washer, 1/2", PLT	2		J1215	J1215
12	Nut, 7/16 - 14, PLT	2	J1035		
	Nut, 1/2" - 13, PLT	2		J1040	J1040
13	Hairpin clip, .120 x 2.5	2	J5412	J5412	J5412
14	Tap bolt, 3/4 - 10 x 6", PLT	1	J0824	J0824	J0824
15	Nut, 3/4 - 10, PLT	1	J1051	J1051	J1051
16	Machine bushing, 3/4 x 1-1/4", 14ga	1-20	J1260	J1260	J1260
17	Long spacer, 3/8"	1	E5739	E5739	E5739
	Longer spacer, 2-7/16" 1 ----- E5740 E5740	1		E5740	E5740
18	Bolt, 3/8 – 16 x 1", PLT	4-6	J0606	J0606	J0606
19	Split lock washer, 3/8", PLT	4-6	J1205	J1205	J1205
20	Decal, Safe Operation	1	L0281	L0281	L0281
21	Bolt, 5/16 – 18 x 1", PLT	8	J0527	J0527	J0527
22	Flat washer, 5/16", PLT	4	J1111	J1111	J1111
23	Split lock washer, 5/16", PLT	8	J1200	J1200	J1200
24	Screw, 3/16 – 18 x 1/2", PLT	4	J0519	J0519	J0519
25	Pulley, 12 x 1", DBL groove B	1	j0380		
	Pulley, 12 x 1-1/4", DBL groove B	1	j0385	j0385	
	Pulley, 12 x 1-1/4", triple groove B 1*	1		j03865-1*	j03865-1
26	Locking collar, 1"	1	Medfølger leje		
	Locking collar, 1-1/4"	1	Medfølger leje		
27	27 Key, 1/4" x 2-1/2"	1	E5720	E5720	E5720
28	Belt, BX48 BX50	1-2	3101BX48OPTI	3101BX48OPTI	3101BX50OPTI
	Belt, B52 "3 drive belt"	3			
29	29 Decal, Do Not Enter Bin, Avoid Augers	1	L0258A	L0258A	L0258A
30	30 Decal, Keep Away From Moving	1	L0284	L0284	L0284
	*J0379 pulley requires J0410 bushing				

* kan evt. bruges den med 3 remme

Drivstation

25° INCLINE AUGER

6" to 8" & 8" to 10"



SWSW0048
11/6/2013 RTO

Drivstation

Ref#	Description	Qty	6-8"	8-10"
1	5' basic incline	1	E5950	E5940
2	Flighting & auger tube	1	E5622	E5623
3	Incline shaft	1	E56421	E5624
4	Shaft	1	E54151	E54142
5	Shaft, auger to knuckle	1	E56411	E56571
6	Hinged motor mount	1	E5746	E5746
7	Small pivot rod, PLT	1	E5744	E5744
8	10" clamp band, narrow	1	E97161	E5797
9	Key, 1/4"	2	E5915	E5915
10	Tube mount	1	E5958	E5948
11	Bushing support	1	E5956	E5947
12	Knuckle	1	E5970	E5980
13	Outer shield	1	E5973	E5973
14	Inner shield	1	E5972	E5972
15	Shield bracket	2	E9316	E9316
16	Adapter plate	1	E5953	E5943
17	Adapter sleeve mount	1	E5954	E5944
18	Key, 1/4" x 2-3/4"	1	E5721	E5721
19	Connector sleeve	1	E5423	E5424
20	Flange bearing w/ locking collar, 1-1/4"	1	J0010-SKF	J0010-SKF
21	Bushing, 1" x 1-1/4" x 1-1/4"	1	J00811	J00811
22	Belt, BX54	2	3101BX54OPTI	3101BX54OPTI
23	Pulley, 14 x 1-1/4", double "B"	1	J03951	J03951
24	Spacer, 3/8"	1	E5739	E5739
25	Bolt, 5/16 - 18 x 1", PLT, GR5	10	J0527	J0527
26	Bolt, 5/16 - 18 x 1-1/4", PLT, GR5	16	J0550	J0550
27	Bolt, 3/8 - 16 x 1", PLT, GR5	2	J0606	J0606
28	Screw, 3/8 - 16 x 2-1/2", PLT, GR5 2	2	J0655	J0655
29	Bolt, 3/8 - 16 x 3", PLT, GR5	6	J0660	J0660
30	Bolt, 7/16 - 14 x 2", PLT, GR5 4	4	J0718	
	Bolt, 1/2 - 13 x 3", PLT, GR5	4		J0750
31	Bolt, 1/2 - 13 x 1-1/2", PLT, GR5	2	J0730	J0730
32	Bolt, 3/4 - 10 x 6", PLT, GR5	1	J0824	J0824
33	Hex nut, 5/16" - 18, PLT	20	J1002	J1002
34	Hex nut, 3/8" - 16, PLT	8	J1020	J1020
35	Lock nut, 3/8" - 16, PLT	4	J1025	J1025
36	Lock nut, 7/16" - 14, PLT	4	J1034	
	Lock nut, 1/2" - 13, PLT	4		J1042
37	Nut, 1/2" - 13, PLT	2	J1040	J1040
38	Nut, 3/4" - 10, PLT	1	J1051	J1051
39	Flat washer, 5/16", PLT	12	J111	J111
40	Split lock washer, 5/16", PLT	12	J1200	J1200
41	Split lock washer, 3/8", PLT	2	J1205	J1205
42	Split lock washer, 1/2", PLT	2	J1215	J1215
43	Hairpin clip, .120 x 2.5	2	J5412	J5412
44	Screw, 5/16 - 18 x 1/2", PLT	4	J0519	J0519

Common Replacement Parts

Following are photos, part numbers and descriptions of common replacement parts on Sukup 6", 8" & 10" Vertical powerhead. For reference, **parts are pictured on graph paper with half cm. squares.**

6", 8" & 10" Vertical powerhead



204122011203 – Pulley
Vertical 8" (after 2014) &
10", use with J03865-1



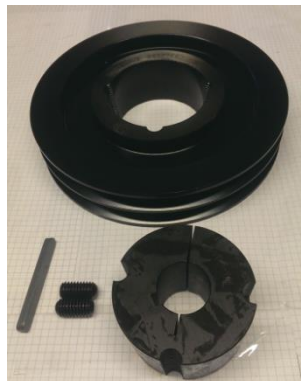
204122010002 – Pulley
Vertical 6" & 8" (before 2014),
use with J0385, J0380 and J0366-1DK



BX42, BX48 & BX52 - Pulley belts
3101BX42OPTI
3101BX48OPTI
3101BX52OPTI



J0365 – Pulley 9"x1",
For 6" unloading system, Vertical



J0366-1DK – Pulley 9" x 1 1/4",
For 6", 8" & 10" unloading
system, Vertical



J0385 - Pulley 12" x 1 1/4"
For 8" & 10" unloading system,
Horizontal



J03865-1 - Pulley 12,4"
For 8" & 10" unloading system,
Horizontal, 2 remme
102J0391-1DK 3 remme



J0380 - Pulley 12"x1",
For 6" unloading system,
Horizontal

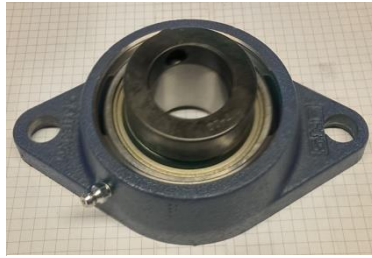


204101610038 - Taperlock For
vertical Ø38 5,5 and 7,5 Kw.
motor

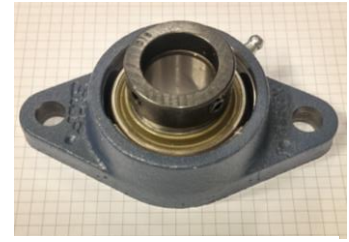
Drivstation



204101610042- Taperlock
For horizontal Ø42 11 and
15 Kw. motor



J0010-SKF – Flange bearing, 1 1/4"



J00031-SKF - Flange bearing, 1"

Shafts

6" Horizontal bottom



E54151 – Shaft, 1 ¼" auger for 1 ¼" bearing.



E90061 – Shaft, horizontal, 1" auger for 1" bearing.



E5415A – Shaft, horizontal, 1 ¼" auger for 1" bearing.



E5415T – Shaft, horizontal, 1" auger for 1 ¼" bearing.

6" Vertical top



E5415P – Shaft, top, 1" auger for 1 ¼" bearing.



E58091 – Shaft, 6" top vertical auger, 1" auger for 1" bearing.



E97711 – Shaft, top, 1 ¼" auger for 1 ¼" bearing.

Drivstation

6" Vertical bottom



E58081 – Shaft, vertical, 1" auger for 1" bearing.



E5415C – Shaft, vertical, 1" auger for 1 ¼" bearing.



E9751 – Shaft, 8", vertical, bottom, 1 ¼" auger for 1 ¼" bearing.



E9752 – Shaft, vertical, 1 ¼" auger for 1" bearing.

6" Transition vertical



F48191 – Shaft, transition, 1" auger for 1" auger.



G91421X – Shaft, transition, 1 ¼" auger for 1 ¼" auger.

8" Horizontal bottom



E54151 – Shaft, 1 ¼" auger for 1 ¼" bearing.

8" Vertical top



E97711 – Shaft, top, 1 ¼" auger for 1 ¼" bearing.

8" Vertical bottom



E9751 – Shaft, 8", vertical, bottom, 1 ¼" bearing for 1" auger.

8" Transition vertical



G91421 – Shaft, transition, 1 ¼" auger for 1 ¼" auger.

10" Horizontal bottom



E54142 – Shaft, 10", horizontal, 1 ¼ " bearing.

10" Vertical bottom



E9752 – Shaft, 10", vertical, bottom, for 1 ¼" bearing.

10" Vertical top

E58243

Drivstation

25° incline



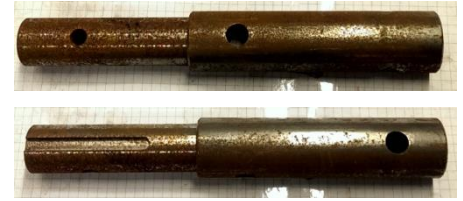
E56411 – Shaft, 6-8" 25 gr. horizontal, 1" knckl to 1 ¼" auger (increase).



E56571 – Shaft, 8-10" 25 gr. horizontal, 1 ¼" knckl for 1 ¼" auger (increase).



E56421 – Shaft, 6-8" 25 gr. horizontal, 1" auger to 1" knckl (into the bin).



E5624 – Shaft, 8-10" 25 gr. horizontal, 1 ¼" auger for 1 ¼" knckl.

Drivstation

	6"	8"	10"
Horizontal bottom	E5415T	E54151	E54142
	E54151		
	E90061		
	E5415A		
Vertical top	E5415P	E97711	E58243
	E58091		
	E97711		
Vertical bottom	E58081	E9751	E9752
	E5415C		
	E9753		
	E9751		
Transition vertical	E48191	G91421	
	G91421X		
25° incline	E56411	E56571	
	E56421	E5624	