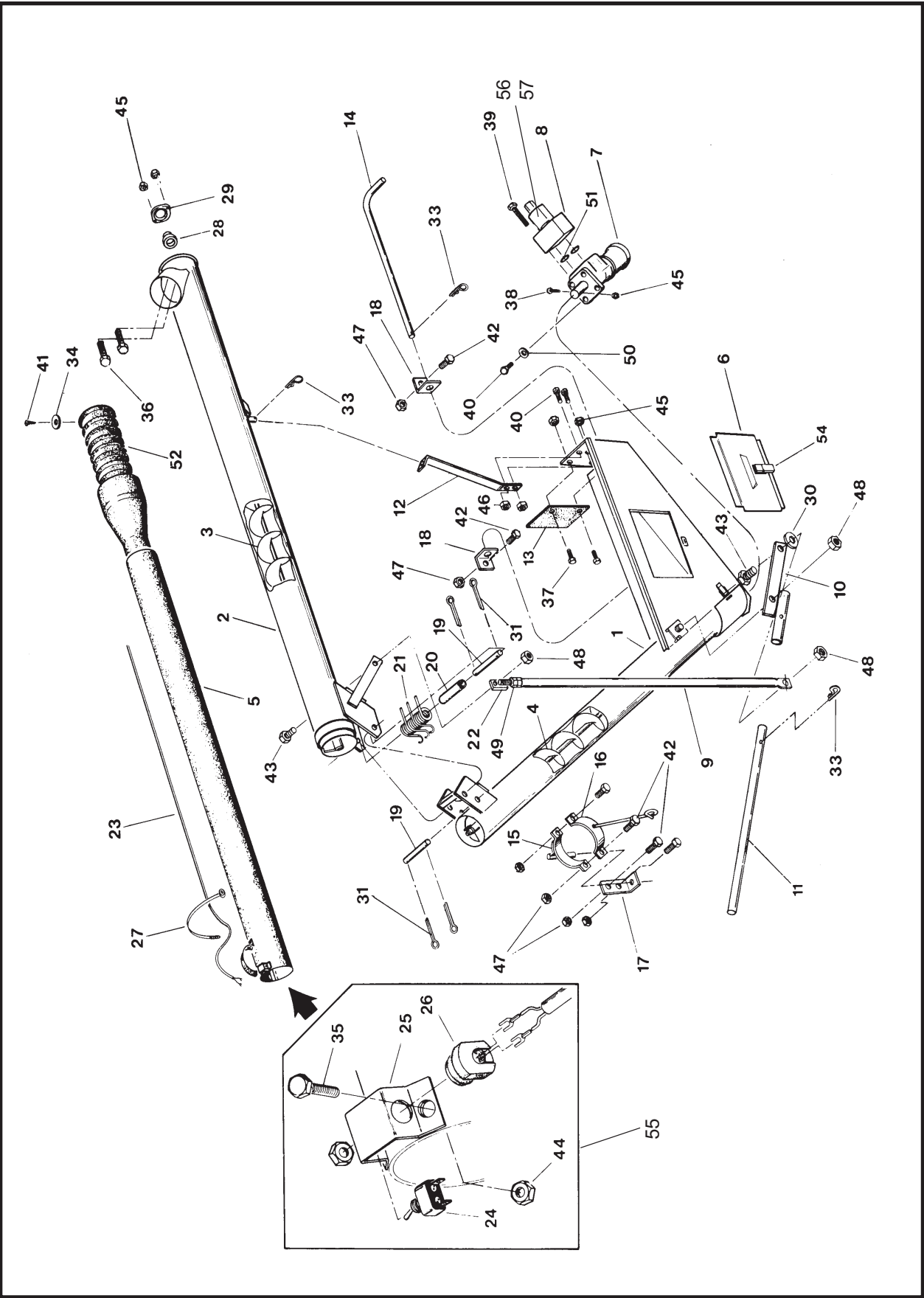


Rear Mount Drill Fill w/Spring Assist, DF 614-3



Rear Mount Drill Fill w/Spring Assist, DF 614-3

REF. NO.	PART NO.	PARTS DESCRIPTION
36	19538	Bolt, 5/16" - 18 x 3/4", grade 2
37	18091	Bolt, 5/16" - 18 x 1", grade 2
38	19539	Bolt, 5/16" - 18 x 2", grade 2
39	19965	Bolt, 5/16" - 18 x 2-3/4", grade 2
40	19540	Bolt, 3/8" - 16 x 3/4", grade 2
41	19274	Self tapping screw, # 14 x 3/4"
42	19542	Bolt, 7/16" - 14 x 1", grade 5
43	19590	Bolt, 5/8" - 11 x 1-1/2", grade 5
44	19594	Washer locknut, 1/4" - 20
45	19595	Washer locknut, 5/16" - 18
46	19596	Washer locknut, 3/8" - 16
47	19598	Locknut, 7/16" - 14
48	19600	Locknut, 5/8" - 11
49	19864	Hex nut, 5/8" - 11
50	19604	Lockwasher, 3/8"
51	18154	O-ring#112
52	18153	6" Flex hose
53		
54	18168	Toggle latch
55	17475	Switch & cord assembly
56	17578	Solenoid plunger only
57	17343	solenoid coil only
—	18656	DF614-3 carton
58	28528	DF lift arm bundle (Item #9, #11 & #14)

REF. NO.	PART NO.	PARTS DESCRIPTION
1	18680	Lower tube and hopper
2	18681	Upper tube
3	18367	Upper fighting
4	18133	Lower fighting
5	18134	2 Section spout w/flex hose
6	18135	Dump cover
7	18136	Hydraulic motor
8	18137	Solenoid valve
9	18682	Lift arm
10	18683	Lift arm bracket
11	18684	Handle
12	18159	Transport bracket
13	18142	Skirting
14	18160	Mount pin
15	18161	Mount clamp
16	18685	Tube half band w/hook
17	18162	Hanger bracket
18	18163	Mount bracket
19	18145	Pivot pin
20	18164	Sleeve
21	18165	Spring
22	18146	Adjust bolt
23	18147	Electrical harness
24	18148	Toggle switch
25	18149	Switch bracket
26	18150	Cord Grommet
27	18151	Tywrap
28	18817	1" Bearing and lock collar, w/o 2 bolt flange
29	18694	1" Bearing flange, single
30	19966	Washer, 5/8"
31	18155	Cotter pin, 3/16" x 1-1/4"
32		
33	19463	Hitch pin #10
34	18152	Spout clamp
35	19537	Bolt, 1/4" - 20 x 1/2", grade 5