

# Spredway - Kornspreder



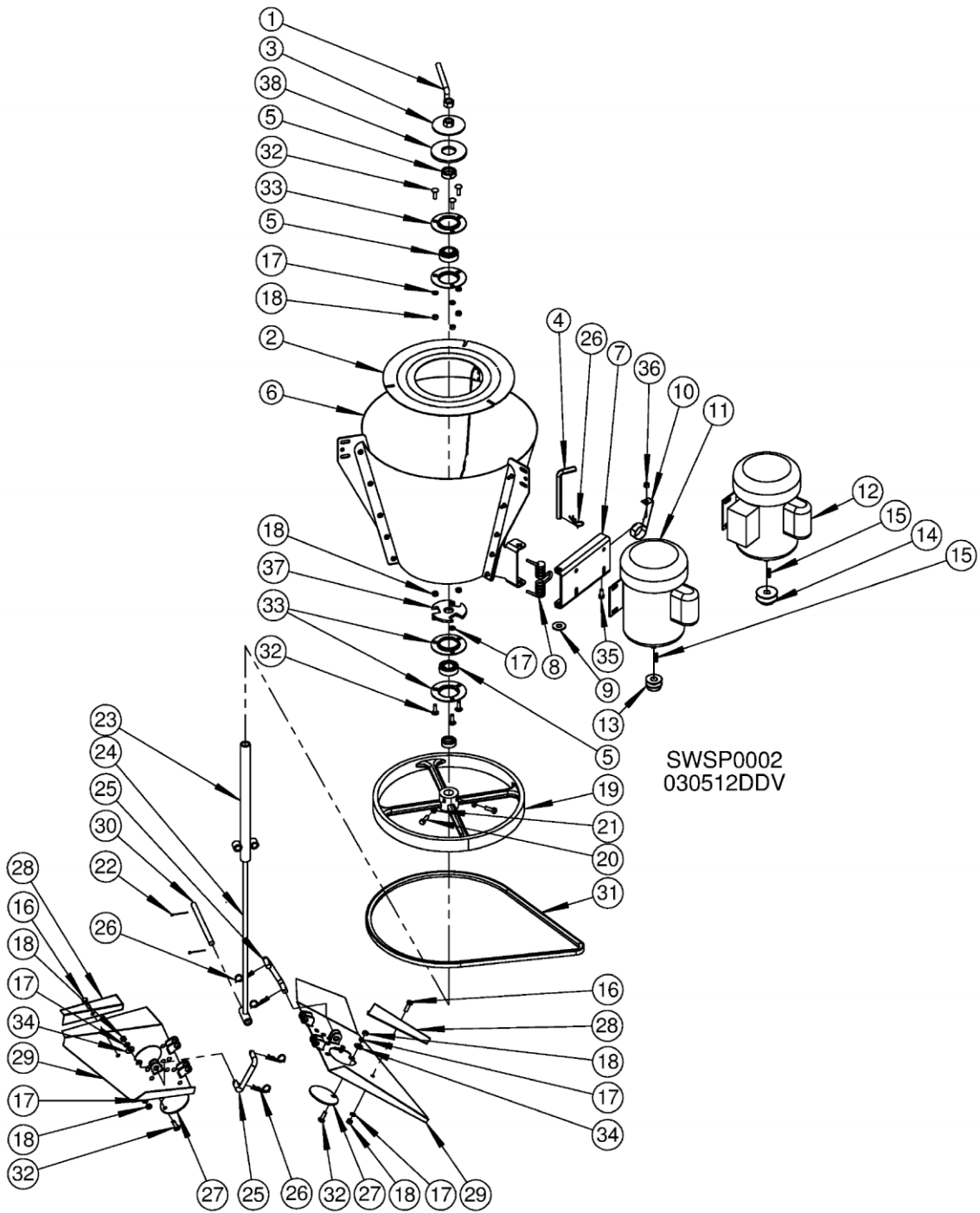
Mimersvej 5 · DK-8722 Hedensted

Tel +45 75 68 53 11 Fax +4575 68 54 70

[www.sukup-eu.com](http://www.sukup-eu.com)

# Spredway - Kornspreder

## Standard and High Capacity

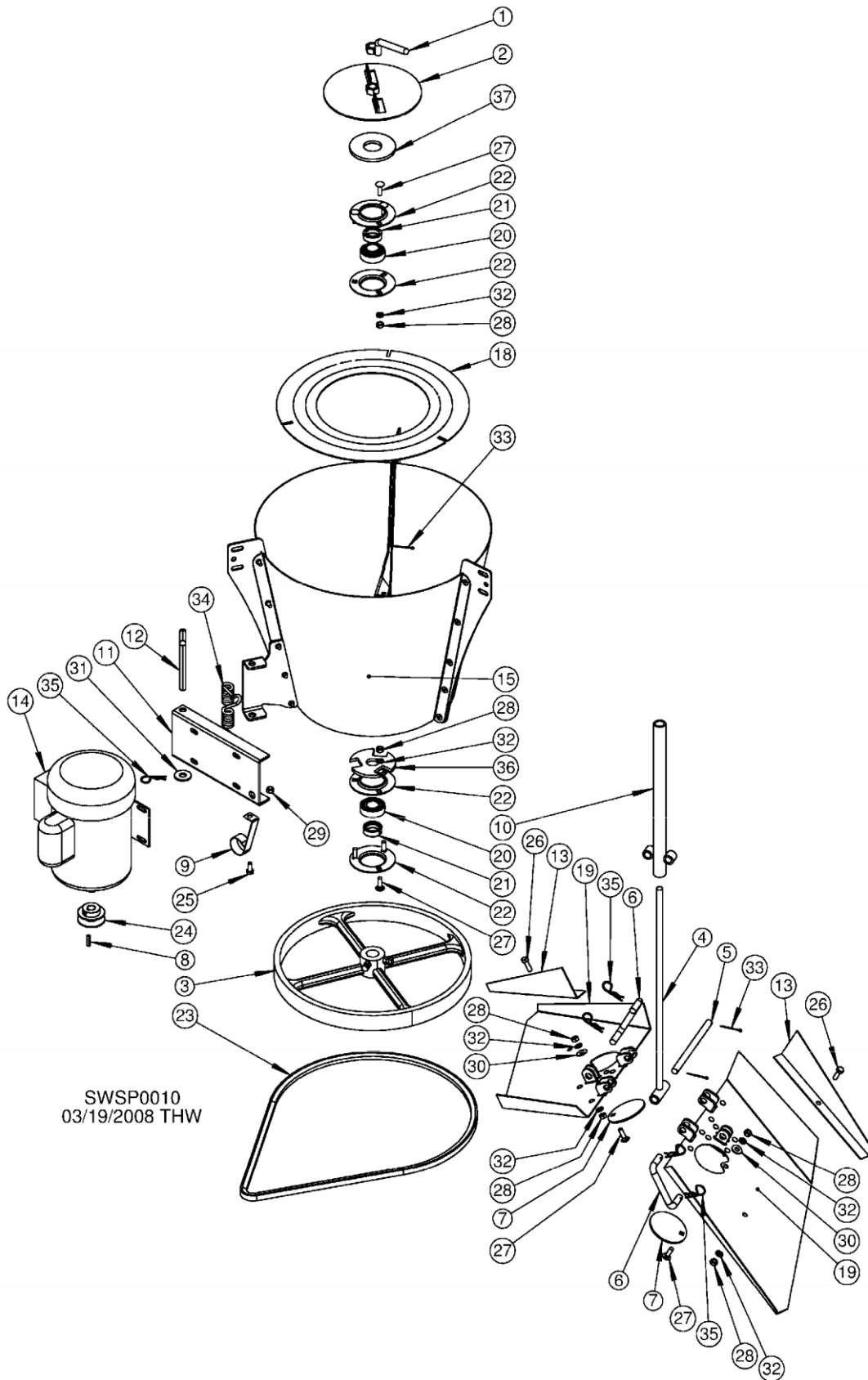


## Spredway - Kornspreder

Ref#	Description	Qty	Comp.#
1	Locking handle	1	G0112
2	Pre-spread ring w/knockouts	1	G0182
3	Pre-spread disc, 3-1/2"	3	G0111
4	Pivot pin	1	G0265
5	1" center bearing, FH205-16 ag seal w/lock collar	2	J0005
6	Cone	1	G0145
7	Motor mount	1	G01455
8	Double torsion spring	1	J2371
9	Flat washer, 1/2", PLT (Optional)		J1125
10	Belt hook	1	G0153
11	Elmotor 1,5 kW/1400/B3 Ø24	1	12710150SH
13	Pulley + Taperlock	1	
	27-36'		200012200630124
	42-48'		2000122008001X + 2000101108024
	54-60'		2000122010001 + 2000101610024
15	Key, 3/16 x 3/16 x 1"	1	G0150
16	Bolt, 5/16 - 18 x 1" GR5	2	J0527
17	Split lock washer, 5/16", PLT	10	J1002
18	Nut, 5/16" - 18	10	J0527
19	Pulley, 16" cast	1	G0116
20	Locking bolt, 5/16 - 18-20 x 1", GR5	2	J0527
21	Nut, 5/16" - 18	2	J1002
22	Hairpin clip	2	J5410
23	Main bearing tube	1	G0161
24	Fin pitch adjusting rod	1	G0121
25	Pitch control arm	2	G0123
26	Cotter pin, 1/8" x 1-1/2"	5	J1421
27	Center flow control	2	G0149-04
28	Spreading vane	2	G0149-03
29	Hinged spreader fin	2	G01661
30	Hinged fin pin	1	G0122
31	Belt 27-48'	1	200BX57
	Belt 54-60'	1	200BX58

# Spredway - Kornspreder

## Super High Capacity



## Spredway - Kornspreder

Ref#	Description	Qty	Comp.#
1	Locking handle, 1/2 x 5-1/2"	1	G0112
2	Pre-spread disc, Standard	1	G0113
3	Flat pulley, 16"	1	G0116
4	Fin pitch adjusting rod	1	G0121
5	Fin hinge pin	1	G0122
6	Stationary pitch control arm	2	G0123
7	Center fill door 2 G0149-04	2	G0149-04
8	Square key, 3/16 x 1"	1	G0150
9	Galvanized belt catcher	1	G0153
10	Main bearing hinged tube shaft	1	G0161
11	Motor mount	1	G0262
12	Motor mount pivot pin	1	G0265
13	Spreading vane	2	G0266
14	Elmotor 1,5 kW/1400/B3 Ø24	1	12710150SH
15	Spreader cone	1	G02921
16	Center bracket	3	G02922
17	Motor mount bracket	1	G02923
18	Pre-spread ring, Super-High	1	G02924
19	Spreader fin, Super-High	2	G0299
20	1" center bearing, FH205-16, ag seal w/lock collar	2	J0005*
21	1" lock collar	2	J0067
22	3-hole flangette for 205 bearing	4	J0098
23	Belt	1	200BX57**
24	Pulley, 2-1/4" OD, 5/8", single, B groove	1	200012200630124
25	Screw, 5/16 - 18 x 3/4", PLT	1	J0520
26	Screw, 5/16 - 18 x 1", PLT	4	J0527

\* J0030 old green spredways can 10318817 also be used

\*\* 54-60' - 200BX58